

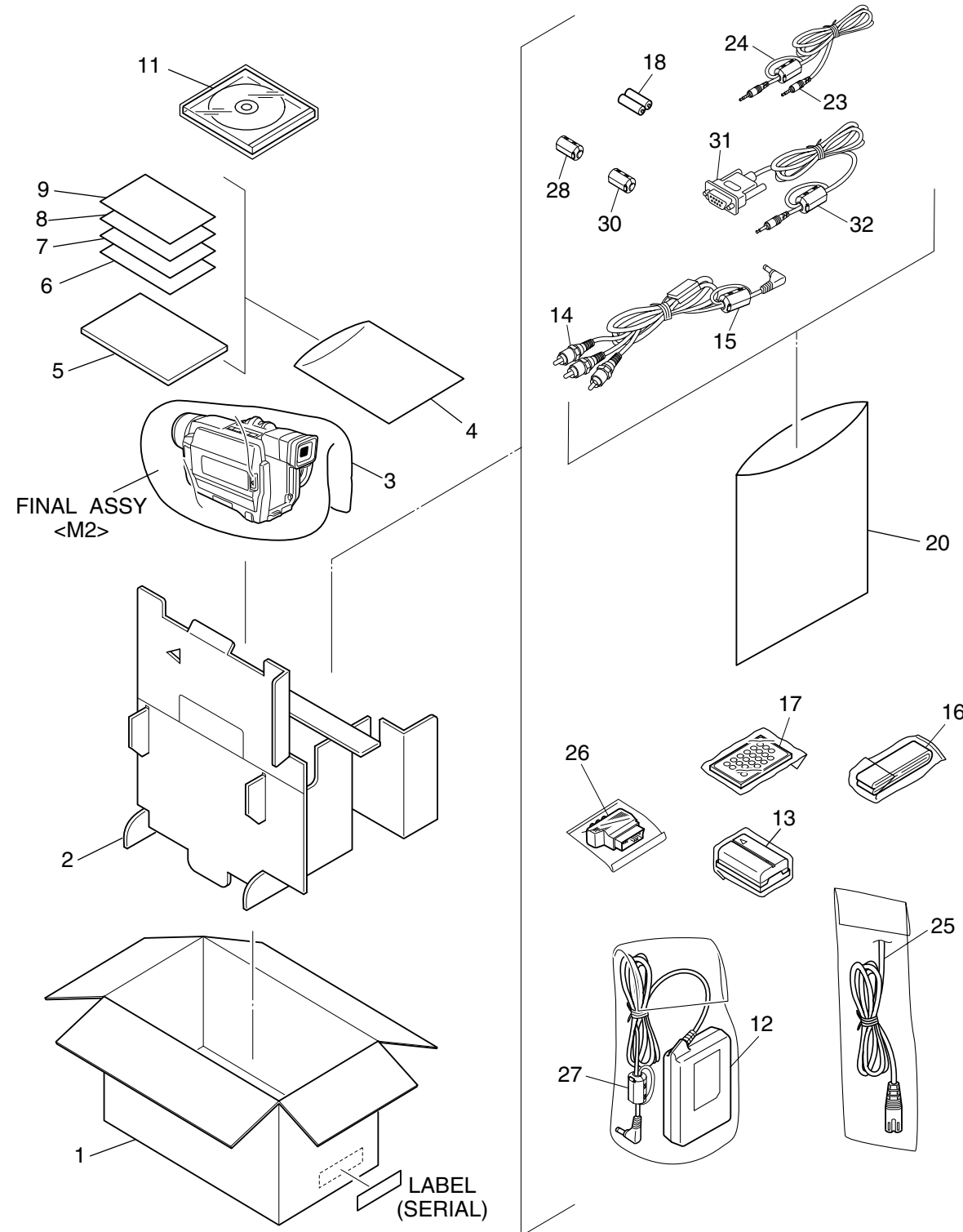
SECTION 5 PARTS LIST

SAFETY PRECAUTION

Parts identified by the symbol are critical for safety. Replace only with specified part numbers.

5.1 PACKING AND ACCESSORY ASSEMBLY <M1>

The instruction manual to be provided with this product will differ according to the destination.



REF No. PART No. PART NAME, DESCRIPTION

PACKING AND ACCESSORY ASSEMBLY <M1>

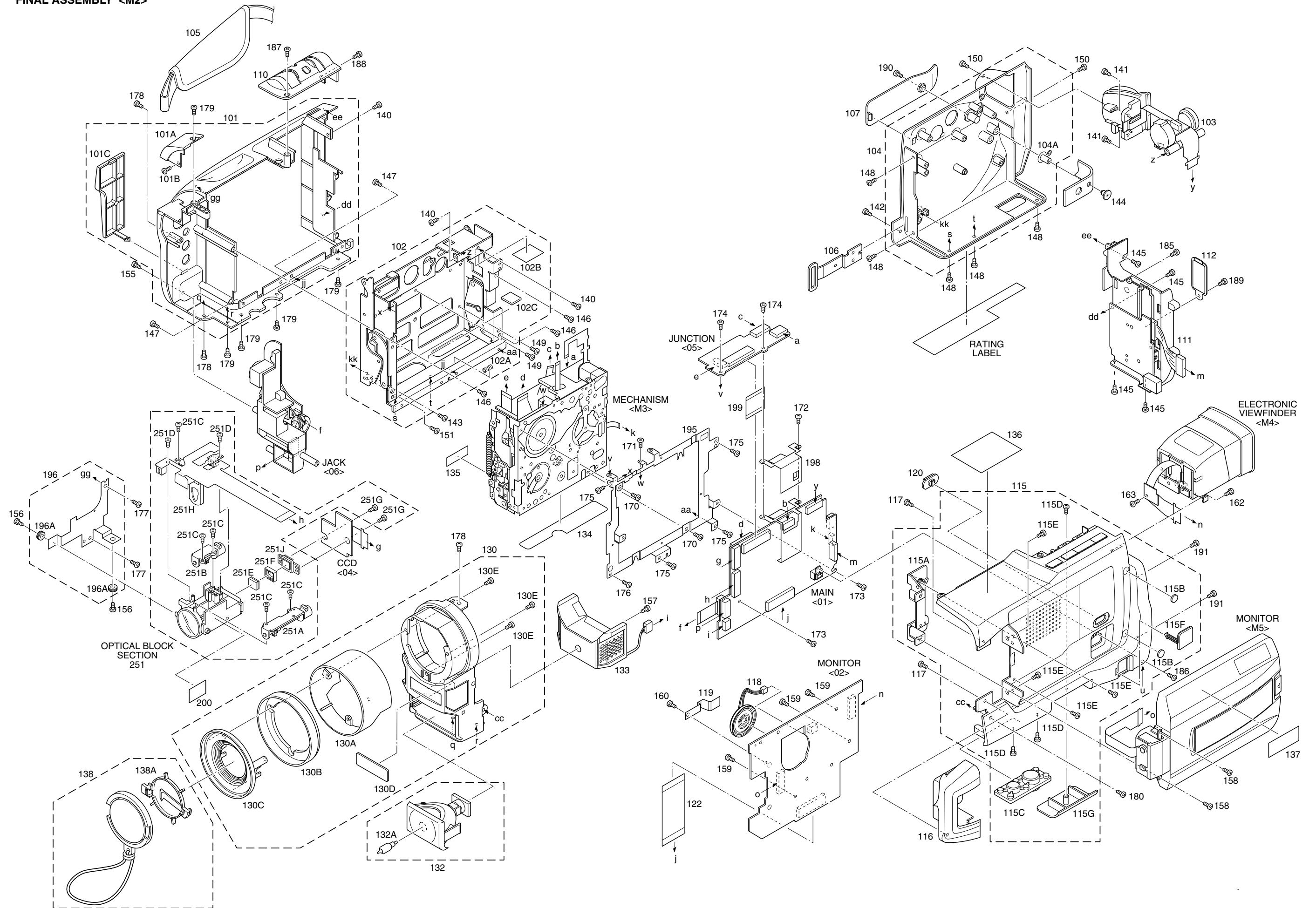
1	LY30023-008A	POLY BAG
2	LY32095-002A	PACKING CASE,C
	LY32095-003A	PACKING CASE,A,B
3	LY32096-001A	CUSHION
4	QPA02003006	POLY BAG,A,C
	YQM30061-3	POLY BAG,B
	LYT0728-001A	INST.BOOK(EN),B
	LYT0727-002B	INST.BOOK(GE),A,C
	LYT0727-003B	INST.BOOK(FR),A,C
	LYT0727-004A	INST.BOOK(DU),A,C
	LYT0727-005B	INST.BOOK(SP),A,C
	LYT0727-006A	INST.BOOK(IT),A,C
	LYT0727-007A	INST.BOOK(DA),A,C
	LYT0727-008A	INST.BOOK(FI),A,C
	LYT0727-009A	INST.BOOK(SW),A,C
	LYT0727-010A	INST.BOOK(NO),A,C
	LYT0727-011A	INST.BOOK(RU),A,C
	LYT0727-012A	INST.BOOK(CZ),A,C
	LYT0727-013A	INST.BOOK(PO),A,C
	LYT0727-014A	INST.BOOK(HU),A,C
	LYT0737-001A	INST.BOOK(SOFT.5LANG),C
	LYT0737-002A	INST.BOOK(SOFT.5LANG),C
	LYT0737-003A	INST.BOOK(SOFT.RU),C
7	LYT0378-003A	SHEET(AGREMENT),C
8	LYT0194-001B	Q.CARD(JUK),B
9	BT-54008-2	GUARANTY CARD,B
	BT-54013-2	WARRANTY CARD,A,C
11	LY32210-002A	CD ROM,C
	LY20688-013A	AC ADAPTER,AP-V10EG
	LY31587-001A	BATTERY PACK,BN-V408U
14	QAM0212-001	CABLE ASSY,AUDIO/VIDEO CABLE
15	QQR0918-002	CORE FILTER
16	LY20186-001A	SHOULDER STRAP
17	LY20750-001A	REMOTE CONTROL UNIT,RM-V717U
18	-	BATTERY,AAA(R03),X2
20	QPA01703005	POLY BAG
23	QAM0214-001	RM CABLE,C
	PEAC0428-150	CABLE ASSY,A,B
24	QQR0491-002	CORE FILTER
	QMPL120-190-JR	POWER CORD,A,C
	QMPP110-190-JR	POWER CORD,B
26	QAM0302-001	ADAPTOR PLUG
27	QQR0490-002	CORE FILTER
28	QQR0918-002	CORE FILTER,A,B
30	QQR0491-002	CORE FILTER
31	QAM0084-001	PC CABLE,C
32	QQR0491-002	CORE FILTER,C

• INSTRUCTIONS

EN ENGLISH
 GE GERMAN
 FR FRENCH
 DU DUTCH
 SP SPANISH
 IT ITALIAN
 DA DANISH
 FI FINNISH
 SW SWEDISH
 NO NORWEGIAN
 RU RUSSIAN
 CZ CZECH
 PO POLISH
 HU HUNGARIAN

MODEL	MARK
GR-DVL150EG	A
GR-DVL150EK	B
GR-DVL450EG	C

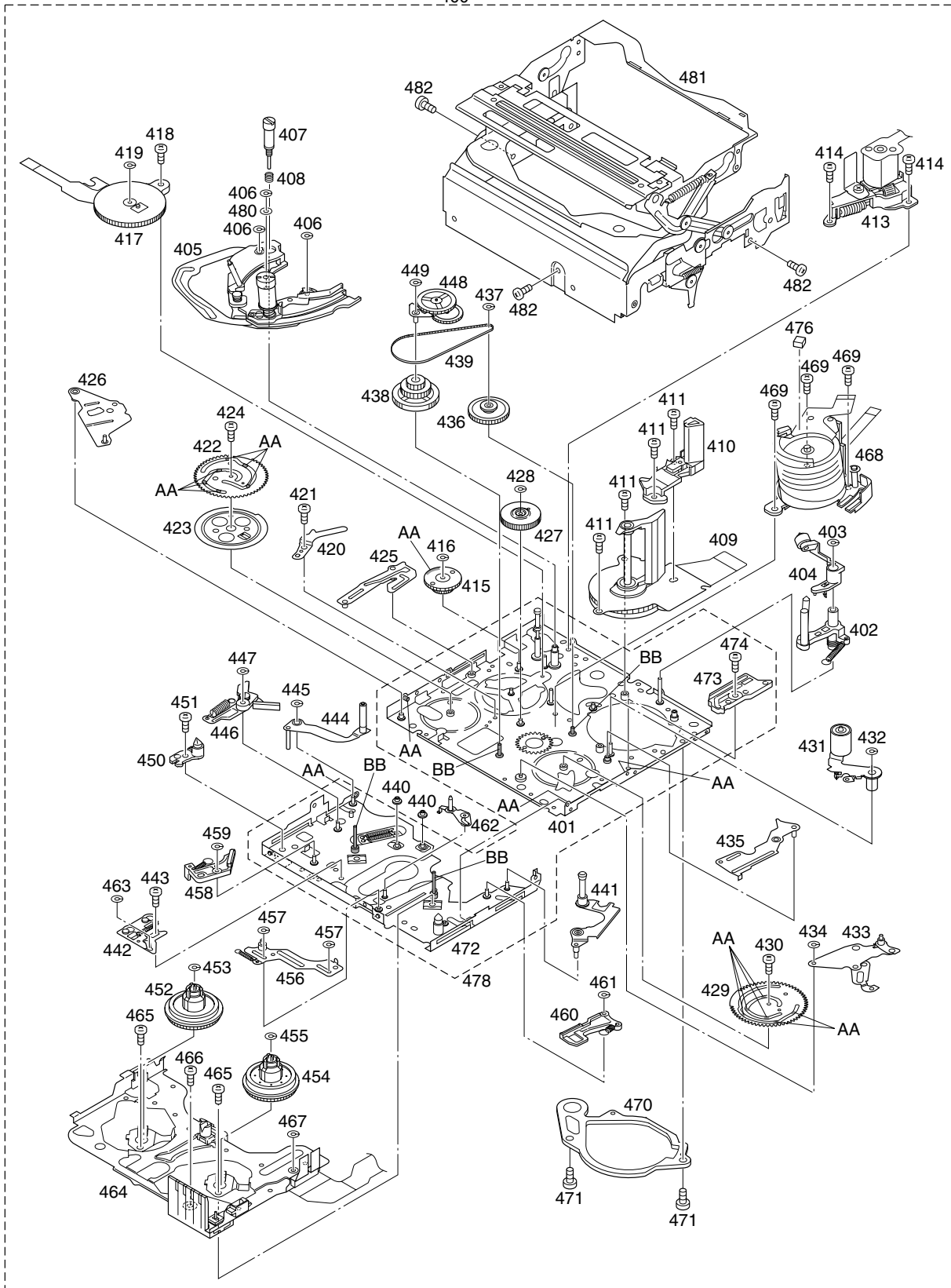
5.2 FINAL ASSEMBLY <M2>



#	△ REF No.	PART No.	PART NAME, DESCRIPTION	#	△ REF No.	PART No.	PART NAME, DESCRIPTION
*****				150		LY30018-084A	SPECIAL SCREW,X2
FINAL ASSEMBLY <M2>				151		LY30018-023A	SPECIAL SCREW
		101	LY20706-001C	LOWER CASE ASSY	155	LY30018-084A	SPECIAL SCREW
		101A	LY32098-001A	WINDOW(IR)	156	LY30019-029B	SPECIAL SCREW,X2
		101B	LY30018-063A	SPECIAL SCREW	157	LY30018-023A	SPECIAL SCREW
		101C	LY32099-001C	COVER(JACK)	158	LY30018-0D6A	SPECIAL SCREW,X2
		102	LY20697-001A	ARM ASSY,A	159	LY30018-023A	SPECIAL SCREW,X3
			LY20697-001B	ARM ASSY,B,C	160	LY30018-006B	SPECIAL SCREW
		102A	LY30001-023A	TENSION SPRING	162	LY30018-063A	SPECIAL SCREW
		102B	LY30029-0C7A	SPACER(A)	163	LY30018-064A	SPECIAL SCREW
		102C	LY30029-0E9A	SPACER(A)	170	LY30019-026A	SPECIAL SCREW,X2
		103	LY20693-001A	ZOOM UNIT	171	YQ43893-4	MINI SCREW
		104	LY20704-001A	CASSETTE COVER ASSY	172	YQ43893-4	MINI SCREW
		104A	LY40592-001A	CAP(GRIP BELT)	173	LY30019-033A	SPECIAL SCREW,X2
		105	LY20575-004B	GRIP BELT	174	QYSPSPT1730Z	SCREW,X2
		106	LY42891-001A	HOOK(GRIP)	175	LY30018-066A	SPECIAL SCREW,X4
		107	LY32092-013A	COVER(AJUST)	176	LY30018-084A	SPECIAL SCREW
		110	LY32093-001A	COVER(ZOOM)ASSY	177	LY30018-084A	SPECIAL SCREW,X2
		111	LY20725-001A	REAR UNIT	178	LY30018-084A	SPECIAL SCREW,X3
		112	LY41691-001A	COVER(JIG)	179	LY30018-084A	SPECIAL SCREW,X5
		115	LY20707-003B	UPPER CASE(2.5)ASSY,A,B	180	LY30018-092A	SPECIAL SCREW
			LY20717-003C	UPPER CASE3/3.5ASSY,C	185	LY30018-065A	SPECIAL SCREW
		115A	LY32101-001A	BRACKET	186	LY30018-006B	SPECIAL SCREW
		115B	LY40664-001A	SPACER,X2	187	LY30018-092A	SPECIAL SCREW
		115C	LY31019-001A	BASE	188	LY30018-065A	SPECIAL SCREW
		115D	LY30018-084A	SPECIAL SCREW,X3	189	LY30018-037A	SPECIAL SCREW
		115E	LY30018-0A8A	SPECIAL SCREW,X4	190	LY30018-037A	SPECIAL SCREW
		115F	LY42866-001A	CAP(DC JACK)	191	LY30018-084A	SPECIAL SCREW,X2
		115G	LY32110-001A	COVER	195	LY20696-001A	BRACKET(MECHA)
		116	LY32106-001A	COVER(HINGE)	196	LY42846-001A	BKT(OP) ASSY
		117	LY30018-084A	SPECIAL SCREW,X2	196A	LY42796-001A	BUSH,X2
		118	QAS0048-001	SPEAKER	198	LY32081-001A	SHIELD PLATE
		119	LY42167-001A	PLATE(SPK)	199	WJT0044-001A	E-CARD WIRE,MAIN CN113-JUNC CN571
		120	LY42919-001A	KNOB(SLIDE)	200	LY43092-001A	PLATE
		122	QUQ105-4007AA	FFC WIRE	- OPTICAL BLOCK SECTION -		
△		130	LY20711-003A	FRONT COVER ASSY	251	J7A-233A	OPTICAL BLOCK ASSY
		130A	LY32111-002A	HOOD	251A	LY30723-001B	ZOOM MOTOR
		130B	LY32112-001A	RING	251B	LY30724-001B	FOCUS MOTOR
		130C	LY32113-001A	HOOD(SCREW)	251C	LY30727-002A	SCREW,X5
		130D	LY42953-001A	MARK	251D	LY30727-001A	SCREW,X2
		130E	LY30018-052A	SPECIAL SCREW,X3	251E	LY42936-001A	OPTICAL LPF
		132	LY31617-002A	DC LIGHT ASSY	251F	LY31639-001A	SPACER RUBBER
		132A	YQ44266	LAMP	251G	QYSPSGU1750Z	SCREW,X2
		133	LY32114-001A	MICROPHONE	251H	LY32160-001A	IRIS MOTOR
		134	LY40698-002A	LABEL(HOUSING)	251J	YS40168F	CCD BASE ASSY
		135	LY40699-002A	LABEL(PUSH)			
		136	LY43093-003A	STICKER(TOP),A,B			
			LY43093-011A	STICKER(TOP),C			
		137	LY43094-002A	STICKER(SIDE)			
		138	LY42182-002A	CAP(HOOD)ASSY			
		138A	LY31627-001A	SPRING			
		140	LY30018-084A	SPECIAL SCREW,X3			
		141	LY30018-096A	SPECIAL SCREW,X2			
		142	LY30018-038A	SPECIAL SCREW			
		143	LY30018-084A	SPECIAL SCREW			
		144	LY30018-0D1A	SPECIAL SCREW			
		145	LY30018-084A	SPECIAL SCREW,X4			
		146	LY30018-084A	SPECIAL SCREW,X3			
		147	LY30018-038A	SPECIAL SCREW,X2			
		148	LY30018-038A	SPECIAL SCREW,X5			
		149	LY30018-084A	SPECIAL SCREW,X2			

5.3 MECHANISM ASSEMBLY <M3>

400



Classification	Part No.	Symbol in drawing
Grease	KYODO-SH-P	AA
Oil	YTU94027	BB

NOTE:The section marked in **AA** and **BB** indicate lubrication and greasing areas.

▲ REF No. PART No. PART NAME, DESCRIPTION

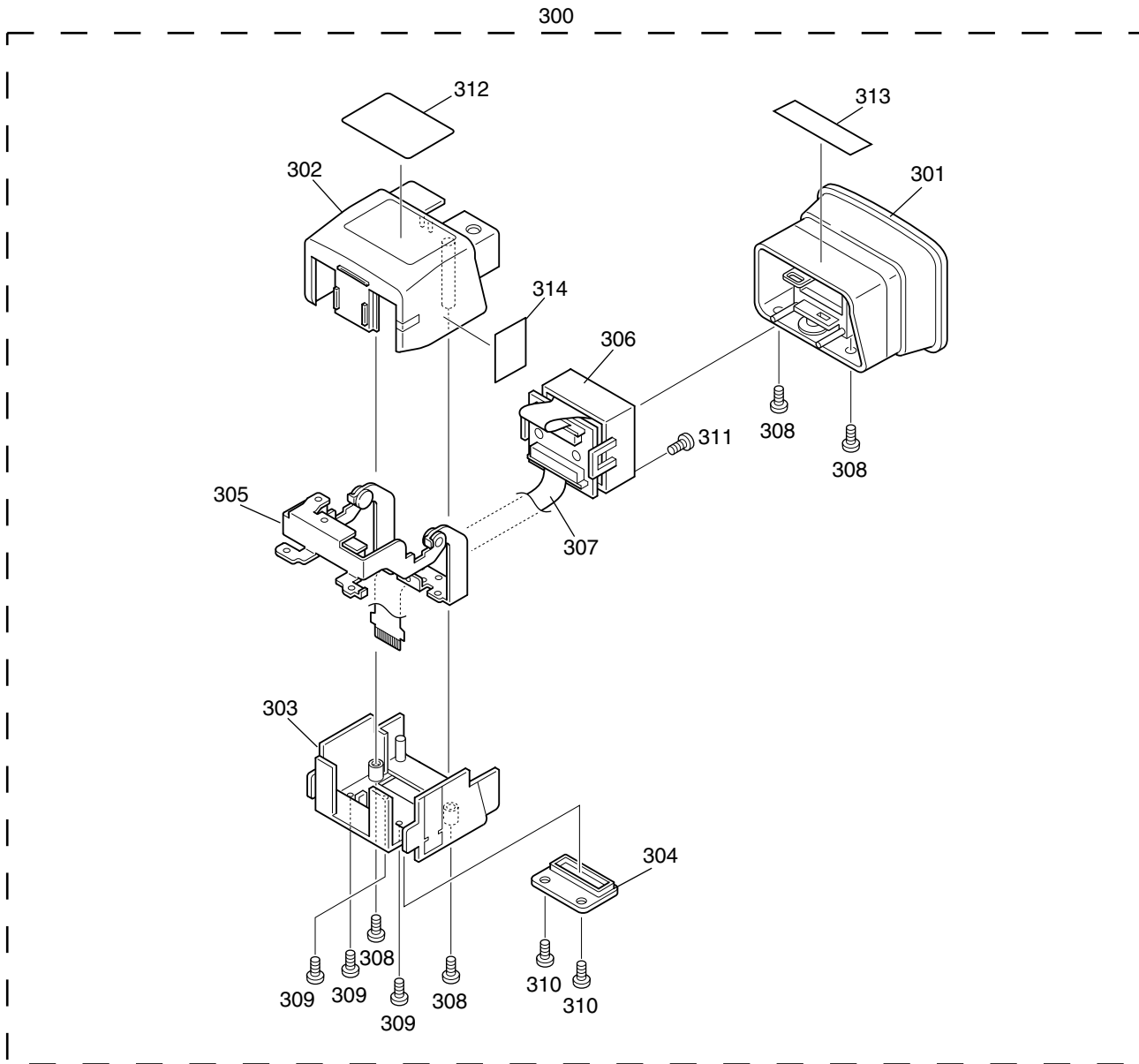
MECHANISM ASSEMBLY <M3>

400	YMA0025H	MECHA(A)ASSY
401	LY10077-001M	MAIN DECK ASSY
402	LY30436-001G	SLANT POLE ARM ASSY
403	YQ44246	SLIT WASHER
404	LY30438-001B	CLEANER ARM ASSY
405	LY10080-001V	RAIL ASSY
406	YQ44246	SLIT WASHER,X3
407	LY40353-001D	GUIDE ROLLER(S)ASSY
408	LY30002-006C	COMPRESSION SPRING
409	QAR0026-002	CAPSTAN MOTOR
410	LY30504-001C	CATCHER(T)ASSY
411	YQ43893	MINI SCREW,X4
413	LY30448-001H	MOTOR BKT ASSY
414	YQ43893	MINI SCREW,X2
415	LY30449-001C	WORM WHEEL
416	YQ44246	SLIT WASHER
417	LY40496-001C	ROTARY ENCODER
418	YQ43893	MINI SCREW
419	YQ44246	SLIT WASHER
420	LY40614-001B	GEAR HOLDER
421	YQ43893-6	MINI SCREW
422	LY30450-001C	MAIN CAM
423	LY30840-001A	BRAKE CTL PLATE
424	YQ43893	MINI SCREW
425	LY40373-001C	TC LEVER ASSY
426	LY30452-001G	SLIDE LEVER ASSY
427	LY30454-001A	CONNECT GEAR
428	YQ44246	SLIT WASHER
429	LY30455-001B	SUB CAM
430	YQ43893	MINI SCREW
431	LY30456-001F	PINCHROLLER ARM ASSY
432	YQ44246	SLIT WASHER
433	LY30459-001A	CHARGE ARM ASSY
434	YQ44246	SLIT WASHER
435	LY40387-001D	BC LEVER ASSY
436	LY40389-001D	REEL DRIVE PULLEY ASSY
437	YQ44246-2	SLIT WASHER
438	LY40391-002B	CENTER GEAR ASSY
439	LY40396-001A	TIMING BELT
440	LY40413-001A	COLLAR,X2
441	LY30468-001E	GUIDE ARM ASSY
442	LY30618-001C	SLIDE GUIDE PLATE ASSY
443	YQ43893-2	MINI SCREW
444	LY40420-001J	TENSION ARM ASSY
445	YQ44246	SLIT WASHER
446	LY30471-001D	PAD ARM ASSY
447	YQ44246	SLIT WASHER
448	LY40432-001H	IDLER ARM ASSY
449	YQ44246-2	SLIT WASHER
450	LY30476-001A	GUIDE PIN(S)
451	YQ43893	MINI SCREW
452	LY40441-001B	REEL DISK(SUPPLY)ASSY
453	YQ44246	SLIT WASHER
454	LY40443-001B	REEL DISK(TAKE-UP)ASSY
455	YQ44246	SLIT WASHER
456	LY30477-001F	CTL PLATE ASSY
457	YQ44246	SLIT WASHER,X2
458	LY40444-001E	LOADING BRAKE ASSY
459	YQ44246	SLIT WASHER

▲ REF No. PART No. PART NAME, DESCRIPTION

460	LY40452-001C	SUB BRAKE ASSY
461	YQ44246	SLIT WASHER
462	LY30479-001E	RELEASE GUIDE ASSY
463	YQ44246	SLIT WASHER
464	LY20146-001H	REEL COVER ASSY
465	YQ43893-4	MINI SCREW,X2
466	YQ43893	MINI SCREW
467	YQ44246	SLIT WASHER
468	YDV2086K	DRUM ASSY
469	YQ43893	MINI SCREW,X3
470	LY20138-001D	PWB HOLDER
471	YQ43893	MINI SCREW,X2
472	LY10082-001L	SLIDE DECK ASSY
473	LY30462-001B	LOADING GUIDE
474	YQ43893	MINI SCREW
476	LY30016-0M1A	SPACER-A
478	LY30496-001W	DECK ASSY
480	LY41573-001A	WASHER
481	LY30483-001Q	CASSETTE HOUSING ASSY
482	YQ43893-4	MINI SCREW,X3

5.4 ELECTRONIC VIEWFINDER ASSEMBLY <M4> [GR-DVL450EG]



Δ REF No. PART No. PART NAME, DESCRIPTION

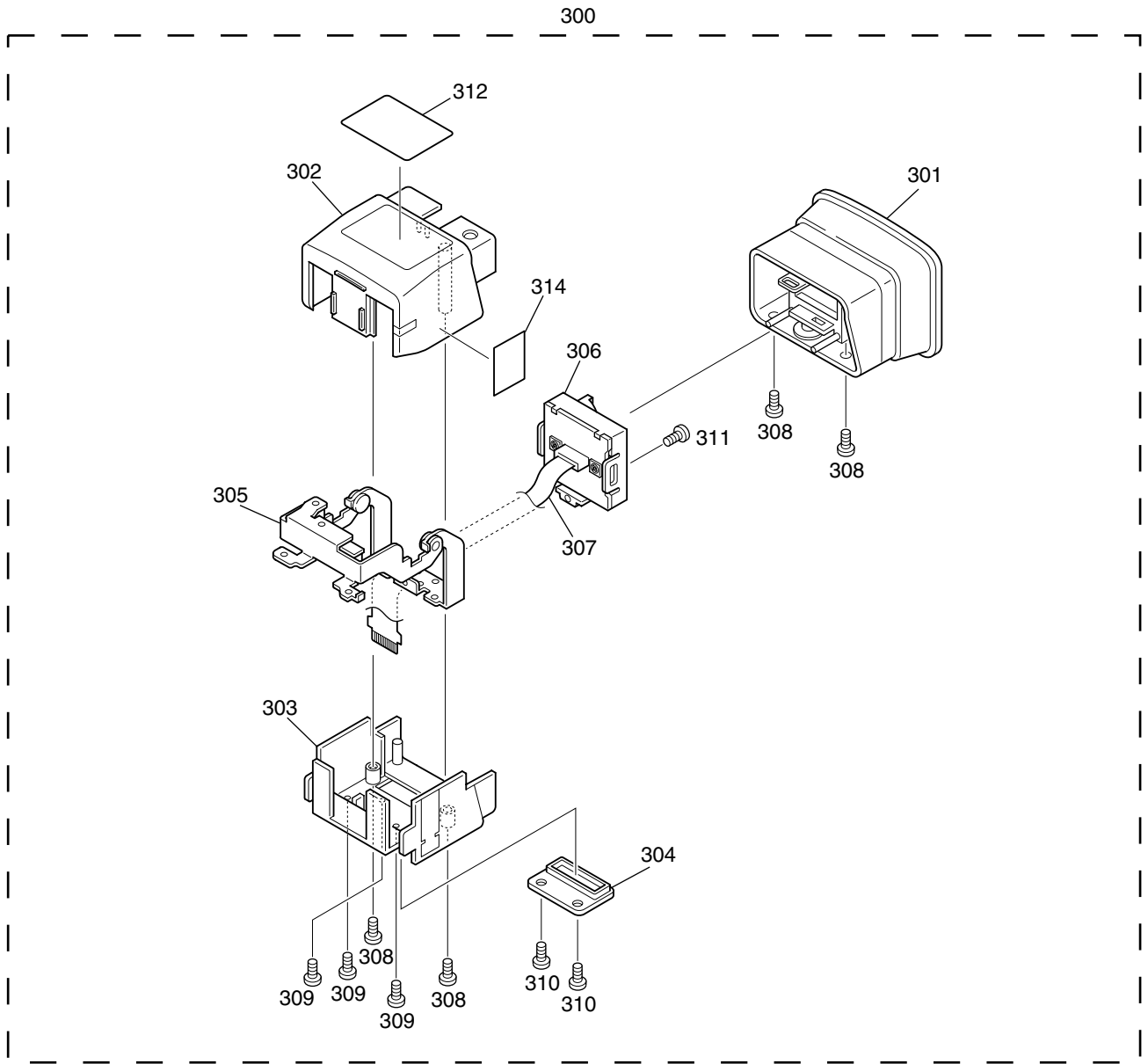
ELECTRONIC VIEWFINDER ASSEMBLY <M4>

300	LY20712-002B	VF ASSY
301	PTY20712-001	EYE PIECE ASSY
302	PTY20712-011	TOP CASE SUB ASSY
303	PTY20712-021	BOTTOM CASE
304	PTY20712-022	CAP(VF)
305	PTY20712-031	HINGE ASSY

Δ REF No. PART No. PART NAME, DESCRIPTION

306	PTY20712-041	LCD ASSY
307	QAL0287-001	FPC
308	LY30018-063A	SPECIAL SCREW,X4
309	LY30018-055A	SPECIAL SCREW,X3
310	LY30018-035A	SPECIAL SCREW,X2
311	PTY20712-051	SCREW
312	LY41701-002A	SHEET(CAUTION)1
313	LY40074-001A	LABEL/COLOR
314	LY43041-002A	LABEL(VF)

5.4 ELECTRONIC VIEWFINDER ASSEMBLY <M4> [GR-DVL150EG/EK]



▲ REF No. PART No. PART NAME, DESCRIPTION

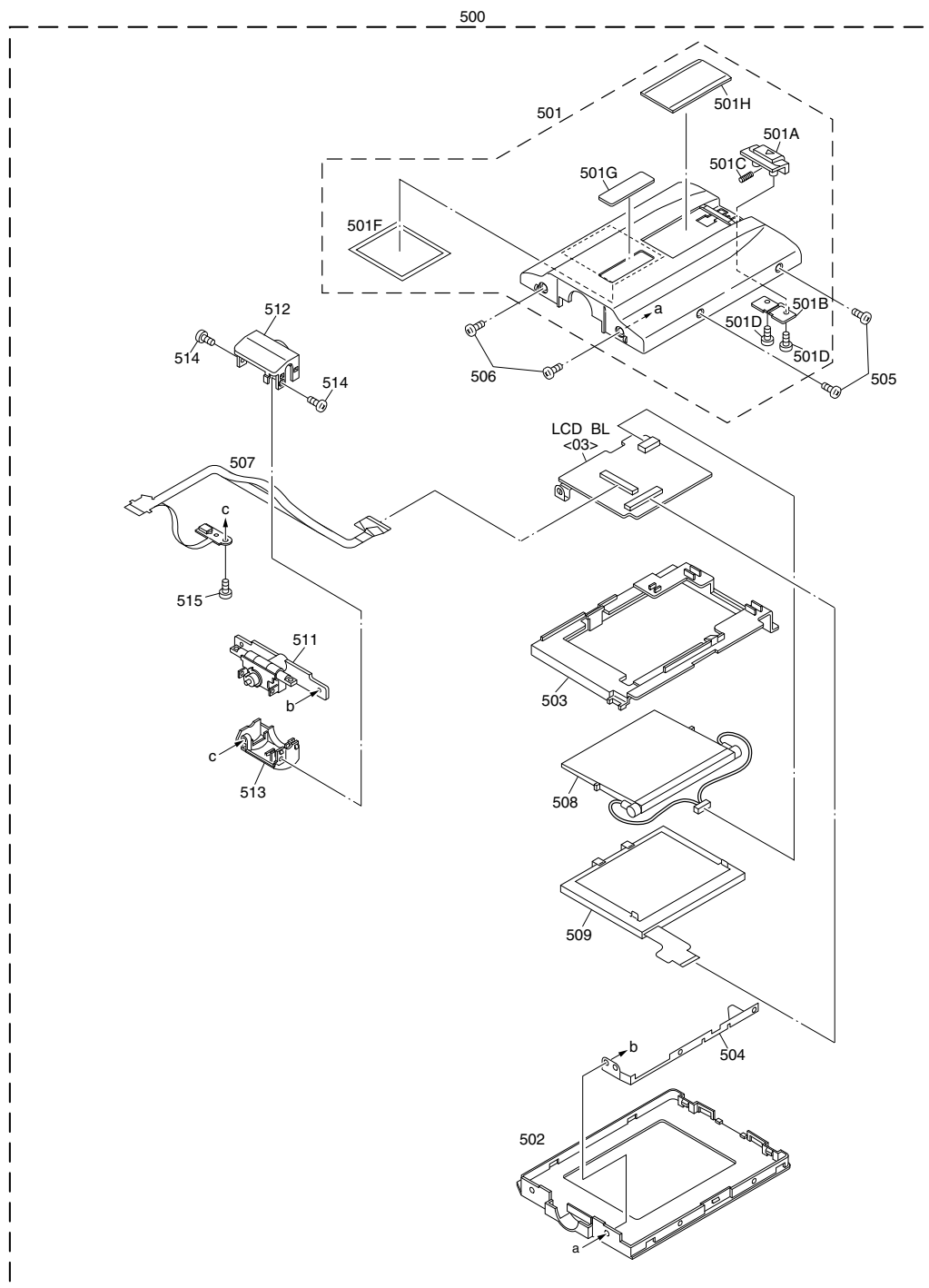
ELECTRONIC VIEWFINDER ASSEMBLY <M4>

300	LY20744-002B	VF UNIT,A
	LY20744-003A	VF UNIT,B
301	PTY20744-001	EYE PIECE ASSY
302	PTY20712-011	TOP CASE SUB ASSY
303	PTY20712-021	BOTTOM CASE
304	PTY20712-022	CAP(VF)

▲ REF No. PART No. PART NAME, DESCRIPTION

305	PTY20712-031	HINGE ASSY
306	PTY20744-041	LCD ASSY
307	QAL0288-001	FPC
308	LY30018-063A	SPECIAL SCREW,X4
309	LY30018-055A	SPECIAL SCREW,X3
310	LY30018-035A	SPECIAL SCREW,X2
311	PTY20744-051	SCREW
312	LY41701-002A	SHEET(CAUTION)1
314	LY43041-002A	LABEL(VF),A

5.5 MONITOR ASSEMBLY <M5> [GR-DVL150EG/EK]



△ REF No. PART No. PART NAME, DESCRIPTION

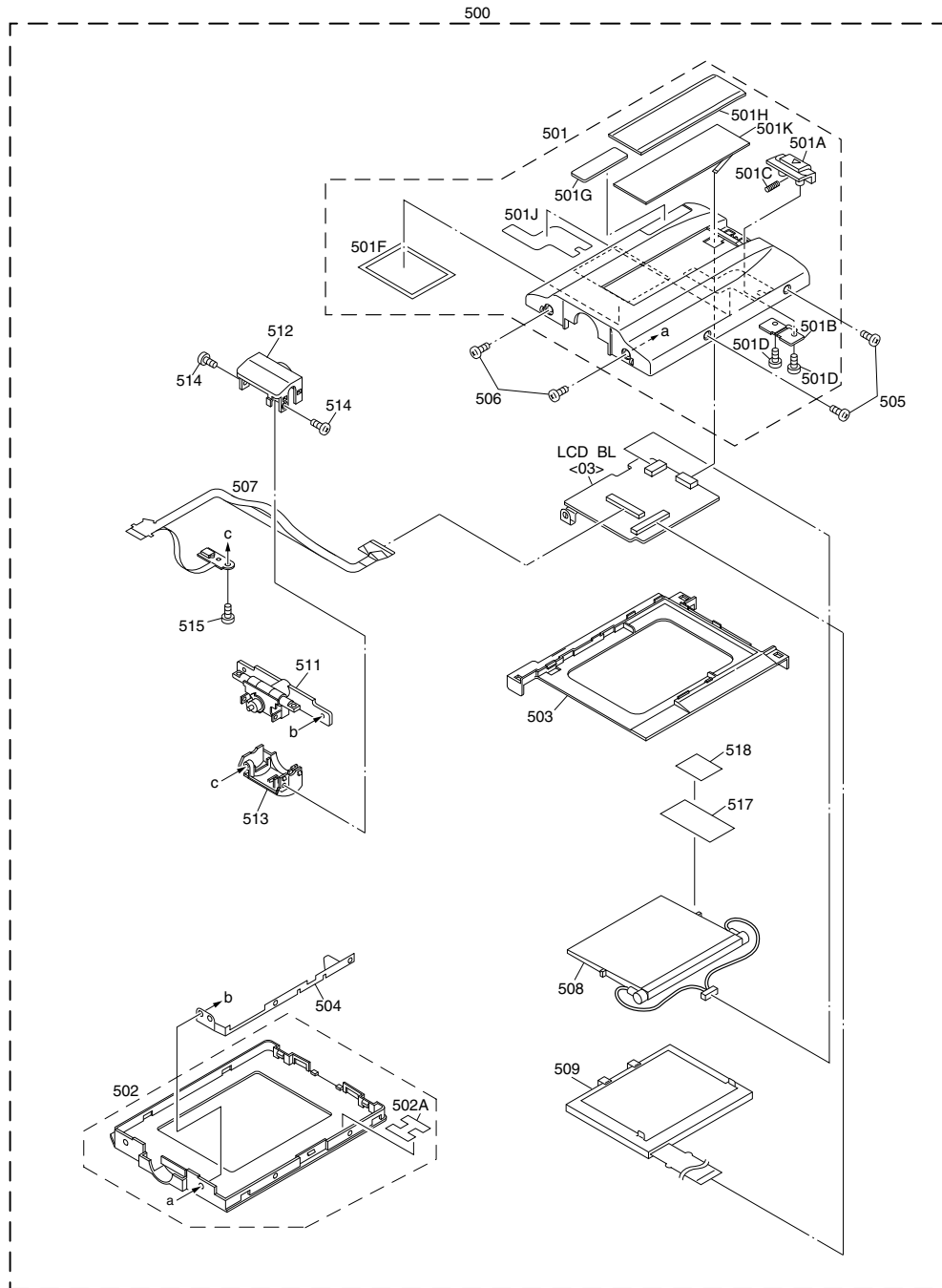
MONITOR ASSEMBLY <M5>

#	△	REF No.	PART No.	PART NAME, DESCRIPTION
△		500	LYH20246-008B	MONITOR ASSY
△		501	LY20702-002B	MONITOR COVER(2.5)ASSY
		501A	LY31620-001A	KNOB(LOCK 1)
		501B	LY42180-001A	KNOB(LOCK 2)
		501C	LY30002-044A	COMPRESSION SPRING
		501D	LY30018-084A	SPECIAL SCREW,X2
		501F	LY40559-001A	SHIELD SHEET
		501G	LY42883-001A	MARK
		501H	LY32087-001B	WINDOW

△ REF No. PART No. PART NAME, DESCRIPTION

502	LY10264-001A	MONITOR CASE(2.5)
503	LY20674-001A	HOLDER(2.5)
504	LY31622-001A	BRACKET(EARTH)
505	QYSPSPT1730R	SCREW,X2
506	QYSLSP2040D	SCREW,X2
507	LY31743-001A	MONITOR FPC ASSY
508	QLL0093-001	BACK LIGHT
509	QLD0154-001	LCD MODULE
511	LY32079-001A	HINGE ASSY
512	LY32088-001A	HINGE COVER(1)
513	LY32089-001A	HINGE COVER(2)
514	LY30018-058A	SPECIAL SCREW,X2
515	LY30018-023A	SPECIAL SCREW

5.5 MONITOR ASSEMBLY <M5> [GR-DVL450EG]



REF No. PART No. PART NAME, DESCRIPTION

MONITOR ASSEMBLY <M5>

#	REF No.	PART No.	PART NAME, DESCRIPTION
	500	LYH20246-012A	MONITOR ASSY
	501	LY20721-003A	MONITOR COVER(3.5)ASSY
	501A	LY31620-001A	KNOB(LOCK 1)
	501B	LY42180-001A	KNOB(LOCK 2)
	501C	LY30002-044A	COMPRESSION SPRING
	501D	LY30018-011A	SPECIAL SCREW,X2
	501F	LY40559-001A	SHIELD SHEET
	501G	LY42883-001A	MARK
	501H	LY32121-003A	WINDOW
	501J	LY42386-001A	EARTH MON
	501K	LY42193-001A	EL(WINDOW)
	502	LY20598-002A	MONITOR CASE ASSY

REF No. PART No. PART NAME, DESCRIPTION

	502A	LY42388-001A	EARTH MON(2)
	503	LY20568-001A	HOLDER(3.5PWB)
	504	LY31622-001A	BRACKET(EARTH)
	505	QYSPST1730R	SCREW,X2
	506	QYSLSP2040D	SCREW,X2
	507	LY31743-001A	MONITOR FPC ASSY
	508	QLL0081-001	BACK LIGHT
	509	QLD0096-002	LCD MODULE
	511	LY32079-001A	HINGE ASSY
	512	LY32088-001A	HINGE COVER(1)
	513	LY32089-001A	HINGE COVER(2)
	514	LY30018-058A	SPECIAL SCREW,X2
	515	LY30018-023A	SPECIAL SCREW
	517	LY30029-0A5A	SPACER(A)
	518	PU59915-105	#500SPACER0.01

5.6 ELECTRICAL PARTS LIST

MODEL	MARK
GR-DVL150EG	A
GR-DVL150EK	B
GR-DVL450EG	C

#	△ REF No.	PART No.	PART NAME, DESCRIPTION

MAIN BOARD ASSEMBLY <01>			
PW		YB10313PA-03	MAIN BOARD ASSY,A
		YB10313PA-04	MAIN BOARD ASSY,B,C
IC1001		UPD703039F1-A03	IC(MICRO C ROM)
		or UPD70F3040F1A03	IC(MICRO C ROM)
IC1002		RS5C314	IC
IC1003		AT25160N-10SC-X	IC
		or X25170S8I-2.5-X	IC
		or 25LC160-I/SN-X	IC
IC1004		TC75S56FU	IC
IC1005		TC7S00FU	IC
		or SN74AHC1G00K	IC
IC1006		MB90097PFV139	IC(MICRO C ROM)
IC1007		TC74VHC08FT	IC(DIGITAL)
		or SN74LV08APW	IC
IC1009		IC-PST9323U-X	IC
IC1301		SN74LV08APW	IC
		or TC74VHC08FT	IC(DIGITAL)
IC1302		MAX3221CAE	IC
IC1303		TC7S32FU	IC(DIGITAL)
		or SN74AHC1G32K	IC
IC1304		TC7S02FU	IC(DIGITAL)
		or SN74AHC1G02K	IC
IC1401		YQ44882A	CSP IC ASSY
IC1402		TC7W66FK	IC
IC1404		TC7W14FU	IC(DIGITAL)
		or SN74AHC2G14T	IC
IC1601		BD6630KV	IC
IC2001		AK4560AVQ	IC
IC3001		JCY0133	IC
IC3002		JCY0136	IC
IC3003		TLC2940IPW	IC
IC3004		SN74AHC1G04K	IC
IC3006		JCY0164	IC
IC3007		SN74AHC2G53T	IC
		TC7SL00FU	IC(DIGITAL)
IC3501		JCY0132	IC
IC3701		BA7665FS	IC
IC4201		HD49326BF	IC
IC4202		MM1385HN	IC
IC4301		JCY0150	IC
IC4302		TMS4C2973-28-X	IC
IC4802		TA75W01FU	IC
IC4803		TA75W01FU	IC
IC4804		UPC358G2/5/-W	IC
IC4806		TC7W00FK	IC
IC4851		UPD16879GS	IC
IC5501		JCY0117	IC
IC6001		S-80842ANNP-W	IC
IC6101		FA3698F	IC
Q1001		DTC124EE	TRANSISTOR
Q1002		2SC4617/RS/-X	TRANSISTOR
Q1003		DTC143EE	TRANSISTOR
Q1004		DTA114EE	TRANSISTOR
		or PDA114EE	TRANSISTOR
		or RN2102	TRANSISTOR
Q1005		DTC144EE	TRANSISTOR
		or PDTC144EE	TRANSISTOR
		or RN1104	TRANSISTOR
		or UN9213J	TRANSISTOR

#	△ REF No.	PART No.	PART NAME, DESCRIPTION
		Q1006	DTA114EE
		or PDA114EE	TRANSISTOR
		or RN2102	TRANSISTOR
		Q1007	DTC144EE
		or PDTC144EE	TRANSISTOR
		or RN1104	TRANSISTOR
		or UN9213J	TRANSISTOR
		Q1301	2SC4617/RS/-X
		Q1401	DTA114EE
		or PDA114EE	TRANSISTOR
		or RN2102	TRANSISTOR
		Q1402	UMC3N
		Q1403	UMC3N
		Q1404	DTC144EE
		or PDTC144EE	TRANSISTOR
		or RN1104	TRANSISTOR
		or UN9213J	TRANSISTOR
		Q1601	UMC3N
		Q2001	UMX1N
		Q2002	2SC4617/RS/-X
		Q2004	2SC4617/RS/-X
		Q3701	UMT2N
		Q3702	UMZ1N
		Q4301	UMT2N
		Q4302	UMT2N
		Q4801	2SC4655/BC/-X
		Q4851	2SC4617/RS/-X
		Q6001	DTC144EE
		or PDTC144EE	TRANSISTOR
		or RN1104	TRANSISTOR
		or UN9213J	TRANSISTOR
		Q6002	2SK3019
		Q6003	2SJ347
		Q6004	2SB1121/TU/-X
		Q6101	2SK3019
		Q6102	2SK3019
		Q6201	NDS352AP
		Q6202	2SA1577/RS/-X
		Q6203	SSM6J07FU
		Q6204	CPH3304
		Q6205	CPH3101
		Q6206	2SC4617/RS/-X
		Q6207	2SD1621/TU/-X
		Q6208	SSM6J07FU
		Q6210	SSM6J07FU
		Q6211	NDS352AP
		Q6212	HN1C01FU/G/-X
		or PUMX1	PAIR TRANSISTOR
		Q6213	2SA1577/RS/-X
		Q6214	DTC144EE
		or PDTC144EE	TRANSISTOR
		or RN1104	TRANSISTOR
		or UN9213J	TRANSISTOR
		Q6215	HN1A01FU/G/-X
		or PUMT1	PAIR TRANSISTOR
		Q6216	2SC4617/RS/-X
		Q6217	UMZ1N
		Q6701	TPC6102
		D1001	DA221
		D1302	RB501V-40-X
		D1602	DAP222
		D1603	DAP222

#	△ REF No.	PART No.	PART NAME, DESCRIPTION	#	△ REF No.	PART No.	PART NAME, DESCRIPTION		
		D1604	DAP222			R1050	NRSA6AJ-223W	MG RESISTOR	22kΩ, 1/16W
		D3001	EC2C01C			R1051	NRSA6AJ-272W	MG RESISTOR	2.7kΩ, 1/16W
		D3002	EC2C01C			R1052	NRSA6AJ-183W	MG RESISTOR	18kΩ, 1/16W
		D3003	EC2C01C			R1053	NRSA6AJ-154W	MG RESISTOR	150kΩ, 1/16W
		D5501	1SS355			R1054	NRSA6AJ-473W	MG RESISTOR	47kΩ, 1/16W
△		D6002	RB715F			R1055	NRSA6AJ-103W	MG RESISTOR	10kΩ, 1/16W
		D6201	EP10LA03			R1056	NRSA6AJ-472W	MG RESISTOR	4.7kΩ, 1/16W
		D6202	EP10LA03			R1057	NRSA6AJ-473W	MG RESISTOR	47kΩ, 1/16W
		D6203	EP10LA03			R1058	NRSA6AJ-222W	MG RESISTOR	2.2kΩ, 1/16W
		D6204	EP10LA03			R1061	NRSA6AJ-104W	MG RESISTOR	100kΩ, 1/16W
		D6205	EP10LA03			R1062	NRSA6AJ-473W	MG RESISTOR	47kΩ, 1/16W
		D6206	1SS383			R1080	NRSA6AJ-104W	MG RESISTOR	100kΩ, 1/16W
		D6207	MA8091/L-X			R1302	NRSA6AJ-472W	MG RESISTOR	4.7kΩ, 1/16W
		D6701	CRS09			R1306	NRSA6AJ-472W	MG RESISTOR	4.7kΩ, 1/16W
		D6702	CRS09			R1401	NRSA6AJ-102W	MG RESISTOR	1kΩ, 1/16W
		R1001	NRSA6AJ-104W	MG RESISTOR		R1402	NRSA6AJ-222W	MG RESISTOR	2.2kΩ, 1/16W
		R1002	NRSA6AJ-224W	MG RESISTOR		R1403	NRSA6AJ-222W	MG RESISTOR	2.2kΩ, 1/16W
		R1003	NRSA6AJ-472W	MG RESISTOR		R1408	NRSA6AJ-472W	MG RESISTOR	4.7kΩ, 1/16W
		R1004	NRSA6AJ-103W	MG RESISTOR		R1409	NRSA6AJ-331W	MG RESISTOR	330Ω, 1/16W
		R1005	NRSA6AJ-153W	MG RESISTOR		R1413	NRSA6AJ-331W	MG RESISTOR	330Ω, 1/16W
		R1006	NRSA6AJ-103W	MG RESISTOR		R1414	NRSA6AJ-331W	MG RESISTOR	330Ω, 1/16W
		R1007	NRSA6AJ-334W	MG RESISTOR		R1415	NRSA6AJ-331W	MG RESISTOR	330Ω, 1/16W
		R1008	NRSA6AJ-561W	MG RESISTOR		R1416	NRSA6AJ-331W	MG RESISTOR	330Ω, 1/16W
		R1009	NRSA6AJ-151W	MG RESISTOR		R1417	NRSA6AJ-102W	MG RESISTOR	1kΩ, 1/16W
		R1010	NRSA6AJ-221W	MG RESISTOR		R1418	NRSA6AJ-221W	MG RESISTOR	220Ω, 1/16W
		R1011	NRSA6AJ-103W	MG RESISTOR		R1419	NRSA6AJ-221W	MG RESISTOR	220Ω, 1/16W
		R1012	NRSA6AJ-102W	MG RESISTOR		R1420	NRSA6AJ-473W	MG RESISTOR	47kΩ, 1/16W
		R1013	NRSA6AJ-103W	MG RESISTOR		R1422	NRSA6AJ-332W	MG RESISTOR	3.3kΩ, 1/16W
		R1014	NRSA6AJ-103W	MG RESISTOR		R1423	NRSA6AJ-332W	MG RESISTOR	3.3kΩ, 1/16W
		R1015	NRSA6AJ-474W	MG RESISTOR		R1424	NRSA6AJ-332W	MG RESISTOR	3.3kΩ, 1/16W
		R1016	NRSA6AJ-474W	MG RESISTOR		R1425	NRVA6AD-753W	CMF RESISTOR	75kΩ, 1/16W
		R1017	NRSA6AJ-104W	MG RESISTOR		R1426	NRSA6AJ-334W	MG RESISTOR	330kΩ, 1/16W
		R1018	NRSA6AJ-103W	MG RESISTOR		R1427	NRSA6AJ-103W	MG RESISTOR	10kΩ, 1/16W
		R1019	NRSA6AJ-0R0W	MG RESISTOR		R1428	NRSA6AJ-153W	MG RESISTOR	15kΩ, 1/16W
		R1020	NRSA6AJ-331W	MG RESISTOR		R1429	NRSA6AJ-102W	MG RESISTOR	1kΩ, 1/16W
		R1021	NRSA6AJ-331W	MG RESISTOR		R1430	NRSA6AJ-102W	MG RESISTOR	1kΩ, 1/16W
		R1022	NRSA6AJ-331W	MG RESISTOR		R1432	NRSA6AJ-820W	MG RESISTOR	82Ω, 1/16W
		R1023	NRSA6AJ-103W	MG RESISTOR		R1433	NRSA6AJ-102W	MG RESISTOR	1kΩ, 1/16W
		R1024	NRSA6AJ-823W	MG RESISTOR		R1434	NRSA6AJ-683W	MG RESISTOR	68kΩ, 1/16W
		R1025	NRVA6AD-623W	CMF RESISTOR		R1435	NRSA6AJ-102W	MG RESISTOR	1kΩ, 1/16W
		R1026	NRSA6AJ-104W	MG RESISTOR		R1436	NRSA6AJ-683W	MG RESISTOR	68kΩ, 1/16W
		R1027	NRSA6AJ-104W	MG RESISTOR		R1437	NRVA6AD-103W	CMF RESISTOR	10kΩ, 1/16W
		R1028	NRSA6AJ-185W	MG RESISTOR		R1439	NRSA6AJ-332W	MG RESISTOR	3.3kΩ, 1/16W
		R1029	NRSA6AJ-473W	MG RESISTOR		R1440	NRSA6AJ-332W	MG RESISTOR	3.3kΩ, 1/16W
		R1030	NRSA6AJ-104W	MG RESISTOR		R1441	NRSA6AJ-332W	MG RESISTOR	3.3kΩ, 1/16W
		R1031	NRSA6AJ-102W	MG RESISTOR		R1442	NRSA6AJ-332W	MG RESISTOR	3.3kΩ, 1/16W
		R1032	NRSA6AJ-104W	MG RESISTOR		R1445	NRSA6AJ-101W	MG RESISTOR	100Ω, 1/16W
		R1033	NRSA6AJ-102W	MG RESISTOR		R1601	NRSA6AJ-681W	MG RESISTOR	680Ω, 1/16W
		R1034	NRSA6AJ-102W	MG RESISTOR		R1602	NRSA6AJ-124W	MG RESISTOR	120kΩ, 1/16W
		R1036	NRSA6AJ-0R0W	MG RESISTOR		R1603	NRSA6AJ-472W	MG RESISTOR	4.7kΩ, 1/16W
		R1037	NRSA6AJ-103W	MG RESISTOR		R1604	NRSA6AJ-104W	MG RESISTOR	100kΩ, 1/16W
		R1038	NRSA6AJ-0R0W	MG RESISTOR		R1605	NRV142F-R22X	CMF RESISTOR	0.22Ω, 1/4W
		R1039	NRSA6AJ-103W	MG RESISTOR		R1606	NRSA6AJ-103W	MG RESISTOR	10kΩ, 1/16W
		R1040	NRSA6AJ-102W	MG RESISTOR		R1608	NRSA02J-0R0X	MG RESISTOR	0Ω, 1/10W
		R1041	NRSA6AJ-473W	MG RESISTOR		R1609	NRV142F-R33X	CMF RESISTOR	0.33Ω, 1/4W
		R1042	NRSA6AJ-473W	MG RESISTOR		R1610	NRSA6AJ-471W	MG RESISTOR	470Ω, 1/16W
		R1043	NRSA6AJ-473W	MG RESISTOR		R1611	NRSA6AJ-471W	MG RESISTOR	470Ω, 1/16W
		R1044	NRSA6AJ-123W	MG RESISTOR		R1612	NRSA6AJ-104W	MG RESISTOR	100kΩ, 1/16W
		R1045	NRSA6AJ-822W	MG RESISTOR		R1613	NRSA6AJ-102W	MG RESISTOR	1kΩ, 1/16W
		R1046	NRSA6AJ-103W	MG RESISTOR		R1614	NRVA6AD-682W	CMF RESISTOR	6.8kΩ, 1/16W
		R1047	NRSA6AJ-473W	MG RESISTOR		R1615	NRSA6AJ-103W	MG RESISTOR	10kΩ, 1/16W
		R1048	NRSA6AJ-473W	MG RESISTOR		R1616	NRSA6AJ-391W	MG RESISTOR	390Ω, 1/16W
		R1049	NRSA6AJ-393W	MG RESISTOR		R1617	NRSA6AJ-224W	MG RESISTOR	220kΩ, 1/16W

#	△ REF No.	PART No.	PART NAME, DESCRIPTION	#	△ REF No.	PART No.	PART NAME, DESCRIPTION
R1618		NRSA6AJ-154W	MG RESISTOR 150kΩ,1/16W	R3011		NRSA6AJ-224W	MG RESISTOR 220kΩ,1/16W
R1619		NRSA6AJ-223W	MG RESISTOR 22kΩ,1/16W	R3013		NRSA6AJ-242W	MG RESISTOR 2.4kΩ,1/16W
R1620		NRSA6AJ-103W	MG RESISTOR 10kΩ,1/16W	R3014		NRSA6AJ-392W	MG RESISTOR 3.9kΩ,1/16W
R1621		NRSA6AJ-103W	MG RESISTOR 10kΩ,1/16W	R3015		NRSA6AJ-392W	MG RESISTOR 3.9kΩ,1/16W
R1622		NRSA6AJ-103W	MG RESISTOR 10kΩ,1/16W	R3016		NRSA6AD-560W	MG RESISTOR 56Ω,1/16W
R1624		NRVA6AD-123W	CMF RESISTOR 12kΩ,1/16W	R3017		NRSA6AD-560W	MG RESISTOR 56Ω,1/16W
R1625		NRSA6AJ-181W	MG RESISTOR 180Ω,1/16W	R3018		NRSA6AD-560W	MG RESISTOR 56Ω,1/16W
R1626		NRSA6AJ-181W	MG RESISTOR 180Ω,1/16W	R3019		NRSA6AD-560W	MG RESISTOR 56Ω,1/16W
R1628		NRVA6AD-271W	CMF RESISTOR 270Ω,1/16W	R3020		NRSA6AD-512W	MG RESISTOR 5.1kΩ,1/16W
R1629		NRSA6AJ-684W	MG RESISTOR 680kΩ,1/16W	R3027		NRSA6AJ-103W	MG RESISTOR 10kΩ,1/16W
R1630		NRSA6AJ-0R0W	MG RESISTOR 0Ω,1/16W	R3029		NRSA6AJ-103W	MG RESISTOR 10kΩ,1/16W
R1631		NRSA6AJ-0R0W	MG RESISTOR 0Ω,1/16W	R3030		NRSA6AJ-224W	MG RESISTOR 220kΩ,1/16W
R1635		NRSA6AJ-472W	MG RESISTOR 4.7kΩ,1/16W	R3031		NRSA6AJ-224W	MG RESISTOR 220kΩ,1/16W
R1636		NRSA6AJ-103W	MG RESISTOR 10kΩ,1/16W	R3033		NRSA6AJ-0R0W	MG RESISTOR 0Ω,1/16W
R1637		NRSA6AJ-154W	MG RESISTOR 150kΩ,1/16W	R3034		NRSA6AJ-222W	MG RESISTOR 2.2kΩ,1/16W
R2006		NRSA6AJ-100W	MG RESISTOR 10Ω,1/16W	R3041		NRSA6AJ-561W	MG RESISTOR 560Ω,1/16W
R2007		NRSA6AJ-102W	MG RESISTOR 1kΩ,1/16W	R3042		NRSA6AJ-561W	MG RESISTOR 560Ω,1/16W
R2008		NRSA6AJ-102W	MG RESISTOR 1kΩ,1/16W	R3043		NRSA6AJ-561W	MG RESISTOR 560Ω,1/16W
R2009		NRSA6AJ-332W	MG RESISTOR 3.3kΩ,1/16W	R3044		NRSA6AJ-392W	MG RESISTOR 3.9kΩ,1/16W
R2014		NRSA6AJ-820W	MG RESISTOR 82Ω,1/16W	R3046		NRSA6AD-222W	MG RESISTOR 2.2kΩ,1/16W
R2015		NRSA6AJ-820W	MG RESISTOR 82Ω,1/16W	R3050		NRSA6AJ-101W	MG RESISTOR 100Ω,1/16W
R2016		NRSA6AJ-820W	MG RESISTOR 82Ω,1/16W	R3052		NRSA6AJ-103W	MG RESISTOR 10kΩ,1/16W
R2017		NRSA6AJ-102W	MG RESISTOR 1kΩ,1/16W	R3053		NRSA6AJ-103W	MG RESISTOR 10kΩ,1/16W
R2018		NRSA6AJ-103W	MG RESISTOR 10kΩ,1/16W	R3054		NRSA6AJ-103W	MG RESISTOR 10kΩ,1/16W
R2019		NRSA6AJ-2R7W	MG RESISTOR 2.7Ω,1/16W	R3055		NRSA6AJ-103W	MG RESISTOR 10kΩ,1/16W
R2020		NRSA6AJ-2R7W	MG RESISTOR 2.7Ω,1/16W	R3501		NRSA6AJ-471W	MG RESISTOR 470Ω,1/16W
R2023		NRSA6AJ-102W	MG RESISTOR 1kΩ,1/16W	R3502		NRSA6AJ-104W	MG RESISTOR 100kΩ,1/16W
R2024		NRSA6AJ-183W	MG RESISTOR 18kΩ,1/16W	R3503		NRSA6AJ-102W	MG RESISTOR 1kΩ,1/16W
R2025		NRSA6AJ-104W	MG RESISTOR 100kΩ,1/16W	R3504		NRSA6AD-241W	MG RESISTOR 240Ω,1/16W
R2026		NRSA6AJ-0R0W	MG RESISTOR 0Ω,1/16W	R3505		NRSA6AD-241W	MG RESISTOR 240Ω,1/16W
R2027		NRSA6AJ-332W	MG RESISTOR 3.3kΩ,1/16W	R3506		NRSA6AD-241W	MG RESISTOR 240Ω,1/16W
R2028		NRSA6AJ-224W	MG RESISTOR 220kΩ,1/16W	R3507		NRSA6AD-241W	MG RESISTOR 240Ω,1/16W
R2029		NRSA6AJ-0R0W	MG RESISTOR 0Ω,1/16W	R3508		NRSA6AJ-223W	MG RESISTOR 22kΩ,1/16W
R2101		NRSA6AJ-182W	MG RESISTOR 1.8kΩ,1/16W	R3521		NRSA6AJ-0R0W	MG RESISTOR 0Ω,1/16W
R2102		NRSA6AJ-182W	MG RESISTOR 1.8kΩ,1/16W	R3522		NRSA6AJ-0R0W	MG RESISTOR 0Ω,1/16W
R2103		NRSA6AJ-153W	MG RESISTOR 15kΩ,1/16W	R3701		NRSA6AD-241W	MG RESISTOR 240Ω,1/16W
R2104		NRSA6AJ-153W	MG RESISTOR 15kΩ,1/16W	R3702		NRSA6AD-241W	MG RESISTOR 240Ω,1/16W
R2105		NRSA6AJ-104W	MG RESISTOR 100kΩ,1/16W	R3703		NRSA6AJ-472W	MG RESISTOR 4.7kΩ,1/16W
R2106		NRSA6AJ-104W	MG RESISTOR 100kΩ,1/16W	R3706		NRSA6AD-221W	MG RESISTOR 220Ω,1/16W
R2107		NRSA6AJ-473W	MG RESISTOR 47kΩ,1/16W	R3707		NRSA6AD-221W	MG RESISTOR 220Ω,1/16W
R2108		NRSA6AJ-473W	MG RESISTOR 47kΩ,1/16W	R3708		NRSA6AJ-472W	MG RESISTOR 4.7kΩ,1/16W
R2109		NRSA6AJ-472W	MG RESISTOR 4.7kΩ,1/16W	R3711		NRSA6AD-680W	MG RESISTOR 68Ω,1/16W
R2110		NRSA6AJ-472W	MG RESISTOR 4.7kΩ,1/16W	R3712		NRSA6AD-680W	MG RESISTOR 68Ω,1/16W
R2111		NRSA6AJ-222W	MG RESISTOR 2.2kΩ,1/16W	R3713		NRSA6AD-680W	MG RESISTOR 68Ω,1/16W
R2112		NRSA6AJ-222W	MG RESISTOR 2.2kΩ,1/16W	R3714		NRSA6AJ-123W	MG RESISTOR 12kΩ,1/16W
R2113		NRSA6AJ-153W	MG RESISTOR 15kΩ,1/16W	R3715		NRSA6AJ-103W	MG RESISTOR 10kΩ,1/16W
R2114		NRSA6AJ-153W	MG RESISTOR 15kΩ,1/16W	R3717		NRSA6AJ-561W	MG RESISTOR 560Ω,1/16W
R2117		NRSA6AJ-472W	MG RESISTOR 4.7kΩ,1/16W	R3718		NRSA6AJ-561W	MG RESISTOR 560Ω,1/16W
R2118		NRSA6AJ-472W	MG RESISTOR 4.7kΩ,1/16W	R3719		NRSA6AJ-103W	MG RESISTOR 10kΩ,1/16W
R2119		NRSA6AJ-153W	MG RESISTOR 15kΩ,1/16W	R3723		NRSA6AJ-472W	MG RESISTOR 4.7kΩ,1/16W
R2120		NRSA6AJ-153W	MG RESISTOR 15kΩ,1/16W	R3724		NRSA6AJ-392W	MG RESISTOR 3.9kΩ,1/16W
R2127		NRSA6AJ-472W	MG RESISTOR 4.7kΩ,1/16W	R4202		NRSA6AJ-0R0W	MG RESISTOR 0Ω,1/16W
R2128		NRSA6AJ-472W	MG RESISTOR 4.7kΩ,1/16W	R4203		NRSA6AJ-0R0W	MG RESISTOR 0Ω,1/16W
R2129		NRSA6AJ-332W	MG RESISTOR 3.3kΩ,1/16W	R4204		NRSA6AJ-220W	MG RESISTOR 22Ω,1/16W
R2130		NRSA6AJ-332W	MG RESISTOR 3.3kΩ,1/16W	R4205		NRSA6AJ-243W	MG RESISTOR 24kΩ,1/16W
R2201		NRSA6AJ-182W	MG RESISTOR 1.8kΩ,1/16W	R4206		NRSA6AJ-102W	MG RESISTOR 1kΩ,1/16W
R2202		NRSA6AJ-182W	MG RESISTOR 1.8kΩ,1/16W	R4207		NRSA6AJ-102W	MG RESISTOR 1kΩ,1/16W
R3002		NRSA6AJ-103W	MG RESISTOR 10kΩ,1/16W	R4208		NRSA6AJ-102W	MG RESISTOR 1kΩ,1/16W
R3004		NRSA6AJ-103W	MG RESISTOR 10kΩ,1/16W	R4301		NRSA6AJ-101W	MG RESISTOR 100Ω,1/16W
R3007		NRSA6AJ-562W	MG RESISTOR 5.6kΩ,1/16W	R4304		NRSA6AJ-0R0W	MG RESISTOR 0Ω,1/16W
R3008		NRSA6AJ-222W	MG RESISTOR 2.2kΩ,1/16W	R4305		NRSA6AJ-0R0W	MG RESISTOR 0Ω,1/16W
R3009		NRSA6AJ-103W	MG RESISTOR 10kΩ,1/16W	R4307		NRSA6AD-333W	MG RESISTOR 33kΩ,1/16W
R3010		NRSA6AJ-103W	MG RESISTOR 10kΩ,1/16W	R4308		NRSA6AD-682W	MG RESISTOR 6.8kΩ,1/16W

#	△	REF No.	PART No.	PART NAME, DESCRIPTION	#	△	REF No.	PART No.	PART NAME, DESCRIPTION	
R4309			NRSA6AJ-0R0W	MG RESISTOR	0Ω, 1/16W	R4866		NRSA6AJ-102W	MG RESISTOR	1kΩ, 1/16W
R4311			NRSA6AD-272W	MG RESISTOR	2.7kΩ, 1/16W	R4867		NRSA6AJ-102W	MG RESISTOR	1kΩ, 1/16W
R4312			NRSA6AD-272W	MG RESISTOR	2.7kΩ, 1/16W	R4868		NRSA6AJ-0R0W	MG RESISTOR	0Ω, 1/16W
R4313			NRSA6AD-272W	MG RESISTOR	2.7kΩ, 1/16W	R4870		NRVA6AD-271W	CMF RESISTOR	270Ω, 1/16W
R4314			NRSA6AD-123W	MG RESISTOR	12kΩ, 1/16W	R4874		NRSA6AJ-0R0W	MG RESISTOR	0Ω, 1/16W
R4315			NRSA6AD-103W	MG RESISTOR	10kΩ, 1/16W	R5501		NRSA6AJ-0R0W	MG RESISTOR	0Ω, 1/16W
R4316			NRSA6AD-111W	MG RESISTOR	110Ω, 1/16W	R5503		NRSA6AJ-0R0W	MG RESISTOR	0Ω, 1/16W
R4317			NRSA6AJ-0R0W	MG RESISTOR	0Ω, 1/16W	R5504		NRSA6AJ-0R0W	MG RESISTOR	0Ω, 1/16W
R4318			NRSA6AJ-152W	MG RESISTOR	1.5kΩ, 1/16W	R5505		NRSA6AJ-0R0W	MG RESISTOR	0Ω, 1/16W
R4319			NRSA6AD-111W	MG RESISTOR	110Ω, 1/16W	R5506		NRSA6AJ-0R0W	MG RESISTOR	0Ω, 1/16W
R4320			NRSA6AJ-0R0W	MG RESISTOR	0Ω, 1/16W	R5507		NRSA6AJ-0R0W	MG RESISTOR	0Ω, 1/16W
R4321			NRSA6AJ-152W	MG RESISTOR	1.5kΩ, 1/16W	R5509		NRSA6AJ-470W	MG RESISTOR	47Ω, 1/16W
R4322			NRSA6AD-111W	MG RESISTOR	110Ω, 1/16W	R5510		NRSA6AJ-470W	MG RESISTOR	47Ω, 1/16W
R4323			NRSA6AD-101W	MG RESISTOR	100Ω, 1/16W	R5511		NRSA6AJ-470W	MG RESISTOR	47Ω, 1/16W
R4324			NRSA6AJ-152W	MG RESISTOR	1.5kΩ, 1/16W	R5512		NRSA6AJ-102W	MG RESISTOR	1kΩ, 1/16W
R4326			NRSA6AJ-0R0W	MG RESISTOR	0Ω, 1/16W	R5513		NRSA6AJ-102W	MG RESISTOR	1kΩ, 1/16W
R4327			NRSA6AJ-152W	MG RESISTOR	1.5kΩ, 1/16W	R5514		NRSA6AJ-102W	MG RESISTOR	1kΩ, 1/16W
R4328			NRSA6AJ-0R0W	MG RESISTOR	0Ω, 1/16W	R6001		NRSA6AJ-104W	MG RESISTOR	100kΩ, 1/16W
R4329			NRSA6AJ-0R0W	MG RESISTOR	0Ω, 1/16W	R6002		NRSA6AJ-104W	MG RESISTOR	100kΩ, 1/16W
R4333			NRSA6AJ-0R0W	MG RESISTOR	0Ω, 1/16W	R6003		NRSA6AJ-224W	MG RESISTOR	220kΩ, 1/16W
R4336			NRSA6AJ-0R0W	MG RESISTOR	0Ω, 1/16W	R6004		NRSA6AJ-183W	MG RESISTOR	18kΩ, 1/16W
R4337			NRSA6AJ-0R0W	MG RESISTOR	0Ω, 1/16W	R6005		NRSA6AJ-104W	MG RESISTOR	100kΩ, 1/16W
R4338			NRSA6AJ-220W	MG RESISTOR	22Ω, 1/16W	△ R6009		NRSA63J-102X	MG RESISTOR	1kΩ, 1/16W
R4339			NRSA6AJ-0R0W	MG RESISTOR	0Ω, 1/16W	R6010		NRSA6AJ-473W	MG RESISTOR	47kΩ, 1/16W
R4340			NRSA6AJ-0R0W	MG RESISTOR	0Ω, 1/16W	R6011		NRSA6AJ-102W	MG RESISTOR	1kΩ, 1/16W
R4341			NRSA6AJ-0R0W	MG RESISTOR	0Ω, 1/16W	R6012		NRVA6AD-104W	CMF RESISTOR	100kΩ, 1/16W
R4343			NRSA6AJ-0R0W	MG RESISTOR	0Ω, 1/16W	R6013		NRVA6AD-683W	CMF RESISTOR	68kΩ, 1/16W
R4344			NRSA6AJ-0R0W	MG RESISTOR	0Ω, 1/16W	R6014		NRSA63J-0R0X	MG RESISTOR	0Ω, 1/16W
R4346			NRSA63J-0R0X	MG RESISTOR	0Ω, 1/16W	R6015		NRVA6AD-104W	CMF RESISTOR	100kΩ, 1/16W
R4347			NRSA6AJ-223W	MG RESISTOR	22kΩ, 1/16W	R6016		NRVA6AD-333W	CMF RESISTOR	33kΩ, 1/16W
R4348			NRSA6AJ-223W	MG RESISTOR	22kΩ, 1/16W	R6101		NRVA6AD-103W	CMF RESISTOR	10kΩ, 1/16W
R4349			NRSA6AJ-223W	MG RESISTOR	22kΩ, 1/16W	R6102		NRVA6AD-751W	CMF RESISTOR	750Ω, 1/16W
R4350			NRSA6AJ-223W	MG RESISTOR	22kΩ, 1/16W	R6103		NRVA6AD-333W	CMF RESISTOR	33kΩ, 1/16W
R4351			NRSA6AJ-223W	MG RESISTOR	22kΩ, 1/16W	R6104		NRSA6AJ-104W	MG RESISTOR	100kΩ, 1/16W
R4804			NRSA6AJ-331W	MG RESISTOR	330Ω, 1/16W	R6105		NRVA6AD-123W	CMF RESISTOR	12kΩ, 1/16W
R4805			NRSA6AJ-103W	MG RESISTOR	10kΩ, 1/16W	R6106		NRSA6AJ-333W	MG RESISTOR	33kΩ, 1/16W
R4806			NRSA6AJ-683W	MG RESISTOR	68kΩ, 1/16W	R6107		NRVA6AD-562W	CMF RESISTOR	5.6kΩ, 1/16W
R4807			NRSA6AJ-823W	MG RESISTOR	82kΩ, 1/16W	R6108		NRSA6AJ-223W	MG RESISTOR	22kΩ, 1/16W
R4808			NRSA6AJ-243W	MG RESISTOR	24kΩ, 1/16W	R6110		NRSA6AJ-0R0W	MG RESISTOR	0Ω, 1/16W
R4809			NRSA6AJ-681W	MG RESISTOR	680Ω, 1/16W	R6113		NRSA6AJ-472W	MG RESISTOR	4.7kΩ, 1/16W
R4810			NRSA6AJ-103W	MG RESISTOR	10kΩ, 1/16W	R6114		NRSA6AJ-823W	MG RESISTOR	82kΩ, 1/16W
R4811			NRSA6AJ-824W	MG RESISTOR	820kΩ, 1/16W	R6115		NRSA6AJ-823W	MG RESISTOR	82kΩ, 1/16W
R4812			NRSA6AJ-153W	MG RESISTOR	15kΩ, 1/16W	R6116		NRVA6AD-153W	CMF RESISTOR	15kΩ, 1/16W
R4814			NRSA6AJ-105W	MG RESISTOR	1MΩ, 1/16W	R6117		NRSA6AJ-0R0W	MG RESISTOR	0Ω, 1/16W
R4815			NRSA6AJ-472W	MG RESISTOR	4.7kΩ, 1/16W	R6118		NRSA6AJ-102W	MG RESISTOR	1kΩ, 1/16W
R4816			NRSA6AJ-105W	MG RESISTOR	1MΩ, 1/16W	R6122		NRSA6AJ-104W	MG RESISTOR	100kΩ, 1/16W
R4817			NRSA6AJ-334W	MG RESISTOR	330kΩ, 1/16W	R6124		NRSA6AJ-102W	MG RESISTOR	1kΩ, 1/16W
R4818			NRSA6AJ-154W	MG RESISTOR	150kΩ, 1/16W	R6201		NRVA6AD-243W	CMF RESISTOR	24kΩ, 1/16W
R4819			NRSA6AJ-103W	MG RESISTOR	10kΩ, 1/16W	R6203		NRVA6AD-123W	CMF RESISTOR	12kΩ, 1/16W
R4820			NRSA6AJ-104W	MG RESISTOR	100kΩ, 1/16W	R6204		NRSA6AJ-473W	MG RESISTOR	47kΩ, 1/16W
R4821			NRSA6AJ-104W	MG RESISTOR	100kΩ, 1/16W	R6205		NRSA6AJ-102W	MG RESISTOR	1kΩ, 1/16W
R4822			NRSA6AJ-333W	MG RESISTOR	33kΩ, 1/16W	R6206		NRVA6AD-183W	CMF RESISTOR	18kΩ, 1/16W
R4823			NRSA6AJ-102W	MG RESISTOR	1kΩ, 1/16W	R6207		NRVA6AD-123W	CMF RESISTOR	12kΩ, 1/16W
R4824			NRSA6AJ-472W	MG RESISTOR	4.7kΩ, 1/16W	R6208		NRVA6AD-123W	CMF RESISTOR	12kΩ, 1/16W
R4833			NRSA6AJ-104W	MG RESISTOR	100kΩ, 1/16W	R6209		NRVA6AD-153W	CMF RESISTOR	15kΩ, 1/16W
R4836			NRSA6AJ-102W	MG RESISTOR	1kΩ, 1/16W	R6210		NRVA6AD-183W	CMF RESISTOR	18kΩ, 1/16W
R4856			NRSA63J-6R8X	MG RESISTOR	6.8Ω, 1/16W	R6212		NRVA6AD-472W	CMF RESISTOR	4.7kΩ, 1/16W
R4857			NRSA63J-6R8X	MG RESISTOR	6.8Ω, 1/16W	R6213		NRSA6AJ-103W	MG RESISTOR	10kΩ, 1/16W
R4858			NRSA6AJ-333W	MG RESISTOR	33kΩ, 1/16W	R6214		NRSA6AJ-152W	MG RESISTOR	1.5kΩ, 1/16W
R4862			NRSA63J-6R8X	MG RESISTOR	6.8Ω, 1/16W	R6215		NRSA6AJ-473W	MG RESISTOR	47kΩ, 1/16W
R4863			NRSA63J-6R8X	MG RESISTOR	6.8Ω, 1/16W	R6217		NRSA6AJ-151W	MG RESISTOR	150Ω, 1/16W
R4864			NRSA6AJ-102W	MG RESISTOR	1kΩ, 1/16W	R6218		NRSA6AJ-104W	MG RESISTOR	100kΩ, 1/16W
R4865			NRSA6AJ-102W	MG RESISTOR	1kΩ, 1/16W	R6219		NRVA6AD-243W	CMF RESISTOR	24kΩ, 1/16W

#	△ REF No.	PART No.	PART NAME, DESCRIPTION	#	△ REF No.	PART No.	PART NAME, DESCRIPTION
R6220		NRVA6AD-302W	CMF RESISTOR 3kΩ,1/16W	C1019		NCBA1CK-103W	CAPACITOR 0.01μF,16V
R6221		NRVA6AD-104W	CMF RESISTOR 100kΩ,1/16W	C1023		NCFA1AZ-104W	CAPACITOR 0.1μF,10V
R6223		NRVA6AD-123W	CMF RESISTOR 12kΩ,1/16W	C1024		NDCA1HJ-100W	CAPACITOR,A 10pF,50V
R6224		NRVA6AD-473W	CMF RESISTOR 47kΩ,1/16W	C1025		NDCA1HJ-100W	CAPACITOR,A 10pF,50V
R6225		NRVA6AD-562W	CMF RESISTOR 5.6kΩ,1/16W	C1026		NCFA1AZ-104W	CAPACITOR 0.1μF,10V
R6226		NRVA6AD-223W	CMF RESISTOR 22kΩ,1/16W	C1027		NCBA1CK-103W	CAPACITOR 0.01μF,16V
R6227		NRVA6AD-473W	CMF RESISTOR 47kΩ,1/16W	C1028		NCBA1CK-103W	CAPACITOR 0.01μF,16V
R6228		NRVA6AD-473W	CMF RESISTOR 47kΩ,1/16W	C1029		NCBA1CK-103W	CAPACITOR 0.01μF,16V
R6229		NRVA6AD-332W	CMF RESISTOR 3.3kΩ,1/16W	C1030		NCBA1CK-103W	CAPACITOR 0.01μF,16V
R6230		NRSA6AJ-272W	MG RESISTOR 2.7kΩ,1/16W	C1031		NCB30JK-105X	CAPACITOR 1μF,6.3V
R6231		NRVA6AD-104W	CMF RESISTOR 100kΩ,1/16W	C1036		NCFA1AZ-104W	CAPACITOR 0.1μF,10V
R6232		NRVA6AD-473W	CMF RESISTOR 47kΩ,1/16W	C1039		NCFA1AZ-104W	CAPACITOR 0.1μF,10V
R6233		NRSA6AJ-822W	MG RESISTOR 8.2kΩ,1/16W	C1040		NCFA1AZ-104W	CAPACITOR 0.1μF,10V
R6234		NRSA6AJ-273W	MG RESISTOR 27kΩ,1/16W	C1041		NCFA1AZ-104W	CAPACITOR 0.1μF,10V
R6235		NRVA6AD-683W	CMF RESISTOR 68kΩ,1/16W	C1301		NCBA1AK-104W	CAPACITOR 0.1μF,10V
R6236		NRVA6AD-473W	CMF RESISTOR 47kΩ,1/16W	C1302		NCBA1AK-104W	CAPACITOR 0.1μF,10V
R6237		NRVA6AD-753W	CMF RESISTOR 75kΩ,1/16W	C1303		NCBA1AK-104W	CAPACITOR 0.1μF,10V
R6238		NRVA6AD-104W	CMF RESISTOR 100kΩ,1/16W	C1304		NCBA1AK-104W	CAPACITOR 0.1μF,10V
R6239		NRSA6AJ-103W	MG RESISTOR 10kΩ,1/16W	C1305		NCBA1AK-104W	CAPACITOR 0.1μF,10V
R6240		NRSA6AJ-333W	MG RESISTOR 33kΩ,1/16W	C1306		NCBA1AK-104W	CAPACITOR 0.1μF,10V
R6241		NRSA6AJ-102W	MG RESISTOR 1kΩ,1/16W	C1307		NCBA1AK-104W	CAPACITOR 0.1μF,10V
R6242		NRSA6AJ-104W	MG RESISTOR 100kΩ,1/16W	C1401		NBE20JM-106X	T CAPACITOR 10μF,6.3V
R6243		NRSA6AJ-823W	MG RESISTOR 82kΩ,1/16W	C1402		NBE20JM-106X	T CAPACITOR 10μF,6.3V
R6244		NRSA6AJ-152W	MG RESISTOR 1.5kΩ,1/16W	C1405		NCFA1AZ-104W	CAPACITOR 0.1μF,10V
R6245		NRSA6AJ-562W	MG RESISTOR 5.6kΩ,1/16W	C1406		NCFA1AZ-104W	CAPACITOR 0.1μF,10V
R6246		NRSA6AJ-222W	MG RESISTOR 2.2kΩ,1/16W	C1408		NCFA1AZ-104W	CAPACITOR 0.1μF,10V
R6701		NRZ0058-R20X	MG RESISTOR 0.2Ω,1/2W	C1409		NCFA1AZ-104W	CAPACITOR 0.1μF,10V
R6702		NRVA6AD-104W	CMF RESISTOR 100kΩ,1/16W	C1410		NCFA1AZ-104W	CAPACITOR 0.1μF,10V
R6703		NRVA6AD-123W	CMF RESISTOR 12kΩ,1/16W	C1411		NCFA1AZ-104W	CAPACITOR 0.1μF,10V
R6712		NRVA6AD-823W	CMF RESISTOR 82kΩ,1/16W	C1412		NCFA1AZ-104W	CAPACITOR 0.1μF,10V
R6713		NRVA6AD-333W	CMF RESISTOR 33kΩ,1/16W	C1413		NCFA1AZ-104W	CAPACITOR 0.1μF,10V
RA1001		NRZ0034-102W	NETWORK RESISTOR 1kΩ	C1414		NCBA1CK-103W	CAPACITOR 0.01μF,16V
RA1002		NRZ0034-102W	NETWORK RESISTOR 1kΩ	C1415		NCBA1CK-103W	CAPACITOR 0.01μF,16V
RA1003		NRZ0034-102W	NETWORK RESISTOR 1kΩ	C1416		NCBA1CK-103W	CAPACITOR 0.01μF,16V
RA1004		NRZ0034-102W	NETWORK RESISTOR 1kΩ	C1417		NCBA1CK-223W	CAPACITOR 0.022μF,16V
RA1005		NRZ0034-102W	NETWORK RESISTOR 1kΩ	C1418		NCBA1CK-223W	CAPACITOR 0.022μF,16V
RA1006		NRZ0034-102W	NETWORK RESISTOR 1kΩ	C1419		NCBA1CK-223W	CAPACITOR 0.022μF,16V
RA1007		NRZ0034-102W	NETWORK RESISTOR 1kΩ	C1420		NCBA1CK-223W	CAPACITOR 0.022μF,16V
RA1008		NRZ0034-104W	NETWORK RESISTOR 100kΩ	C1601		NCBA1CK-103W	CAPACITOR 0.01μF,16V
RA1009		NRZ0034-104W	NETWORK RESISTOR 100kΩ	C1602		NBE21AM-106X	T CAPACITOR 10μF,10V
RA1010		NRZ0034-104W	NETWORK RESISTOR 100kΩ	C1603		NBE21AM-106X	T CAPACITOR 10μF,10V
RA1401		NRZ0034-473W	NETWORK RESISTOR 47kΩ	C1605		NCBA1AK-104W	CAPACITOR 0.1μF,10V
RA1402		NRZ0034-102W	NETWORK RESISTOR 1kΩ	C1606		NCB31HK-152X	CAPACITOR 0.0015μF,50V
RA1403		NRZ0034-102W	NETWORK RESISTOR 1kΩ	C1607		NCBA1AK-473W	CAPACITOR 0.047μF,10V
RA3001		NRZ0034-100W	NETWORK RESISTOR 10Ω	C1614		NBE21AM-106X	T CAPACITOR 10μF,10V
RA3002		NRZ0034-100W	NETWORK RESISTOR 10Ω	C1618		NCBA1HK-222W	CAPACITOR 0.0022μF,50V
RA4301		NRZ0034-101W	NETWORK RESISTOR 100Ω	C1619		NCBA1HK-222W	CAPACITOR 0.0022μF,50V
RA4302		NRZ0034-101W	NETWORK RESISTOR 100Ω	C1620		NCBA1HK-222W	CAPACITOR 0.0022μF,50V
RA4303		NRZ0034-101W	NETWORK RESISTOR 100Ω	C1621		NCB21CK-105X	CAPACITOR 1μF,16V
C1001		NBE20JM-226X	T CAPACITOR 22μF,6.3V	C1622		NCBA1CK-223W	CAPACITOR 0.022μF,16V
C1002		NCFA1AZ-104W	CAPACITOR 0.1μF,10V	C1623		NCBA1AK-473W	CAPACITOR 0.047μF,10V
C1003		NBE20JM-226X	T CAPACITOR 22μF,6.3V	C1624		NCBA1CK-103W	CAPACITOR 0.01μF,16V
C1004		NCFA1AZ-104W	CAPACITOR 0.1μF,10V	C1625		NCBA1AK-473W	CAPACITOR 0.047μF,10V
C1005		NCBA1CK-103W	CAPACITOR 0.01μF,16V	C1626		NCBA1HK-331W	CAPACITOR 330pF,50V
C1006		NDCA1HJ-130W	CAPACITOR 13pF,50V	C1627		NCBA1CK-822W	CAPACITOR 0.0082μF,16V
C1007		NCBA1CK-103W	CAPACITOR 0.01μF,16V	C1628		NCB21CK-224X	CAPACITOR 0.22μF,16V
C1009		NCBA1CK-103W	CAPACITOR 0.01μF,16V	C1632		NBE21AM-106X	T CAPACITOR 10μF,10V
C1010		NCBA1CK-103W	CAPACITOR 0.01μF,16V	C1633		NCB21CK-474X	CAPACITOR 0.47μF,16V
C1011		NCBA1CK-103W	CAPACITOR 0.01μF,16V	C1635		NCBA1AK-104W	CAPACITOR 0.1μF,10V
C1012		NCBA1CK-103W	CAPACITOR 0.01μF,16V	C1641		NCB21CK-474X	CAPACITOR 0.47μF,16V
C1014		NCBA1CK-103W	CAPACITOR 0.01μF,16V	C2001		NBE20JM-106X	T CAPACITOR 10μF,6.3V
C1015		NCBA1CK-103W	CAPACITOR 0.01μF,16V	C2002		NBE20JM-106X	T CAPACITOR 10μF,6.3V
C1016		NCBA1CK-103W	CAPACITOR 0.01μF,16V	C2004		NCB21CK-105X	CAPACITOR 1μF,16V
C1017		NCBA1CK-103W	CAPACITOR 0.01μF,16V	C2005		NCB21CK-105X	CAPACITOR 1μF,16V

#	△ REF No.	PART No.	PART NAME, DESCRIPTION		#	△ REF No.	PART No.	PART NAME, DESCRIPTION	
C2006		NCBA1CK-103W	CAPACITOR	0.01μF,16V	C3031		NCBA1AK-104W	CAPACITOR	0.1μF,10V
C2007		NCBA1CK-103W	CAPACITOR	0.01μF,16V	C3032		NCBA1HK-102W	CAPACITOR	0.001μF,50V
C2008		NCB21CK-105X	CAPACITOR	1μF,16V	C3033		NDCA1HJ-470W	CAPACITOR	47pF,50V
C2009		NCB21CK-105X	CAPACITOR	1μF,16V	C3034		NCBA1HK-102W	CAPACITOR	0.001μF,50V
C2010		NCB21CK-105X	CAPACITOR	1μF,16V	C3035		NDCA1HJ-330W	CAPACITOR	33pF,50V
C2011		NBE20JM-106X	T CAPACITOR	10μF,6.3V	C3038		NCBA1AK-104W	CAPACITOR	0.1μF,10V
C2012		NBE20JM-106X	T CAPACITOR	10μF,6.3V	C3039		NCBA1AK-104W	CAPACITOR	0.1μF,10V
C2013		NCBA1AK-104W	CAPACITOR	0.1μF,10V	C3040		NCBA1AK-104W	CAPACITOR	0.1μF,10V
C2014		NCBA1AK-104W	CAPACITOR	0.1μF,10V	C3041		NCBA1AK-104W	CAPACITOR	0.1μF,10V
C2015		NBE20JM-106X	T CAPACITOR	10μF,6.3V	C3042		NCBA1CK-103W	CAPACITOR	0.01μF,16V
C2016		NCBA1CK-223W	CAPACITOR	0.022μF,16V	C3043		NCBA1CK-103W	CAPACITOR	0.01μF,16V
C2017		NCBA1AK-333W	CAPACITOR	0.033μF,10V	C3044		NCBA1AK-104W	CAPACITOR	0.1μF,10V
C2018		NCB31CK-104X	CAPACITOR	0.1μF,16V	C3045		NCBA1AK-104W	CAPACITOR	0.1μF,10V
C2019		NCB31CK-104X	CAPACITOR	0.1μF,16V	C3046		NCBA1CK-103W	CAPACITOR	0.01μF,16V
C2020		NCBA1AK-104W	CAPACITOR	0.1μF,10V	C3047		NCBA1AK-104W	CAPACITOR	0.1μF,10V
C2021		NCBA1AK-104W	CAPACITOR	0.1μF,10V	C3051		NCBA1AK-104W	CAPACITOR	0.1μF,10V
C2101		NCB31CK-104X	CAPACITOR	0.1μF,16V	C3052		NCBA1HK-102W	CAPACITOR	0.001μF,50V
C2102		NCB31CK-104X	CAPACITOR	0.1μF,16V	C3053		NCBA1AK-473W	CAPACITOR	0.047μF,10V
C2103		NCB21CK-105X	CAPACITOR	1μF,16V	C3056		NCB30JK-105X	CAPACITOR	1μF,6.3V
C2104		NCB21CK-105X	CAPACITOR	1μF,16V	C3057		NCBA1CK-103W	CAPACITOR	0.01μF,16V
C2109		NBE20JM-106X	T CAPACITOR	10μF,6.3V	C3058		NCBA1CK-103W	CAPACITOR	0.01μF,16V
C2110		NCB21CK-105X	CAPACITOR	1μF,16V	C3060		NCBA1CK-103W	CAPACITOR	0.01μF,16V
C2111		NCBA1EK-472W	CAPACITOR	0.0047μF,25V	C3061		NCB21CK-105X	CAPACITOR	1μF,16V
C2112		NCBA1EK-472W	CAPACITOR	0.0047μF,25V	C3062		NCBA1AK-104W	CAPACITOR	0.1μF,10V
C2113		NCBA1EK-472W	CAPACITOR	0.0047μF,25V	C3063		NCBA1AK-104W	CAPACITOR	0.1μF,10V
C2114		NCBA1EK-472W	CAPACITOR	0.0047μF,25V	C3064		NCBA1CK-103W	CAPACITOR	0.01μF,16V
C2115		NCB31CK-104X	CAPACITOR	0.1μF,16V	C3501		NBE20JM-106X	T CAPACITOR	10μF,6.3V
C2116		NCB31CK-104X	CAPACITOR	0.1μF,16V	C3502		NBE20JM-106X	T CAPACITOR	10μF,6.3V
C2121		NCBA1CK-223W	CAPACITOR	0.022μF,16V	C3503		NBE20JM-106X	T CAPACITOR	10μF,6.3V
C2122		NCBA1CK-223W	CAPACITOR	0.022μF,16V	C3504		NCBA1AK-473W	CAPACITOR	0.047μF,10V
C2123		NCBA1CK-223W	CAPACITOR	0.022μF,16V	C3505		NCBA1CK-223W	CAPACITOR	0.022μF,16V
C2124		NCBA1CK-223W	CAPACITOR	0.022μF,16V	C3506		NCB21CK-105X	CAPACITOR	1μF,16V
C2125		NCBA1CK-223W	CAPACITOR	0.022μF,16V	C3507		NCBA1CK-103W	CAPACITOR	0.01μF,16V
C2126		NCBA1CK-223W	CAPACITOR	0.022μF,16V	C3508		NCBA1CK-103W	CAPACITOR	0.01μF,16V
C2131		NCBA1HK-102W	CAPACITOR	0.001μF,50V	C3509		NCBA1CK-103W	CAPACITOR	0.01μF,16V
C2132		NCBA1HK-102W	CAPACITOR	0.001μF,50V	C3510		NCBA1AK-104W	CAPACITOR	0.1μF,10V
C2133		NCBA1CK-223W	CAPACITOR	0.022μF,16V	C3511		NCBA1CK-103W	CAPACITOR	0.01μF,16V
C2134		NCBA1CK-223W	CAPACITOR	0.022μF,16V	C3512		NCB31CK-104X	CAPACITOR	0.1μF,16V
C2201		NCBA1CK-103W	CAPACITOR	0.01μF,16V	C3513		NCBA1AK-104W	CAPACITOR	0.1μF,10V
C2202		NCBA1CK-103W	CAPACITOR	0.01μF,16V	C3514		NCBA1AK-473W	CAPACITOR	0.047μF,10V
C3001		NBE20JM-106X	T CAPACITOR	10μF,6.3V	C3515		NCBA1AK-473W	CAPACITOR	0.047μF,10V
C3003		NCB21CK-105X	CAPACITOR	1μF,16V	C3516		NCBA1AK-473W	CAPACITOR	0.047μF,10V
C3004		NCB21CK-105X	CAPACITOR	1μF,16V	C3517		NCBA1CK-103W	CAPACITOR	0.01μF,16V
C3005		NBE20JM-106X	T CAPACITOR	10μF,6.3V	C3518		NCBA1CK-103W	CAPACITOR	0.01μF,16V
C3007		NCB11CK-105X	CAPACITOR	1μF,16V	C3519		NCBA1HK-102W	CAPACITOR	0.001μF,50V
C3008		NBE20JM-106X	T CAPACITOR	10μF,6.3V	C3520		NCBA1CK-103W	CAPACITOR	0.01μF,16V
C3011		NCBA1AK-104W	CAPACITOR	0.1μF,10V	C3521		NCBA1AK-104W	CAPACITOR	0.1μF,10V
C3012		NCBA1AK-104W	CAPACITOR	0.1μF,10V	C3522		NCB20JM-475X	CAPACITOR	4.7μF,6.3V
C3013		NCBA1CK-103W	CAPACITOR	0.01μF,16V	C3523		NCBA1CK-103W	CAPACITOR	0.01μF,16V
C3015		NCBA1CK-103W	CAPACITOR	0.01μF,16V	C3524		NCBA1CK-103W	CAPACITOR	0.01μF,16V
C3016		NCBA1AK-104W	CAPACITOR	0.1μF,10V	C3525		NCB20JM-475X	CAPACITOR	4.7μF,6.3V
C3017		NCBA1AK-104W	CAPACITOR	0.1μF,10V	C3526		NCBA1CK-103W	CAPACITOR	0.01μF,16V
C3020		NCBA1AK-104W	CAPACITOR	0.1μF,10V	C3527		NDCA1EJ-221W	CAPACITOR	220pF,25V
C3021		NCBA1AK-104W	CAPACITOR	0.1μF,10V	C3701		NBE20JM-106X	T CAPACITOR	10μF,6.3V
C3022		NCBA1AK-104W	CAPACITOR	0.1μF,10V	C3702		NDCA1HJ-151W	CAPACITOR	150pF,50V
C3023		NDCA1HJ-330W	CAPACITOR	33pF,50V	C3703		NDCA1HJ-330W	CAPACITOR	33pF,50V
C3024		NCBA1HK-102W	CAPACITOR	0.001μF,50V	C3704		NDCA1HJ-101W	CAPACITOR	100pF,50V
C3025		NCBA1AK-104W	CAPACITOR	0.1μF,10V	C3705		NDCA1HJ-330W	CAPACITOR	33pF,50V
C3026		NCB30JK-105X	CAPACITOR	1μF,6.3V	C3706		NCBA1CK-103W	CAPACITOR	0.01μF,16V
C3027		NCBA1EK-472W	CAPACITOR	0.0047μF,25V	C3707		NCFA1AZ-104W	CAPACITOR	0.1μF,10V
C3028		NDCA1EJ-271W	CAPACITOR	270pF,25V	C3708		NCB30JK-105X	CAPACITOR	1μF,6.3V
C3029		NCBA1CK-103W	CAPACITOR	0.01μF,16V	C3709		NCBA1CK-103W	CAPACITOR	0.01μF,16V
C3030		NCBA1AK-104W	CAPACITOR	0.1μF,10V	C3710		NCBA1CK-103W	CAPACITOR	0.01μF,16V

#	△ REF No.	PART No.	PART NAME, DESCRIPTION	#	△ REF No.	PART No.	PART NAME, DESCRIPTION
C3711		NBE20GM-226X	T CAPACITOR 22μF,4.0V	C4349		NCBA1AK-104W	CAPACITOR 0.1μF,10V
C3712		NBE40GM-107X	T CAPACITOR 100μF,4.0V	C4350		NCBA1AK-104W	CAPACITOR 0.1μF,10V
C3713		NEA70GM-337X	E CAPACITOR 330μF,4.0V	C4803		NBE20JM-106X	T CAPACITOR 10μF,6.3V
C4201		NBE40GM-107X	T CAPACITOR 100μF,4.0V	C4804		NCFA1AZ-104W	CAPACITOR 0.1μF,10V
C4202		NCBA1AK-104W	CAPACITOR 0.1μF,10V	C4805		NCFA1AZ-104W	CAPACITOR 0.1μF,10V
C4203		NCB30JK-105X	CAPACITOR 1μF,6.3V	C4806		NCFA1AZ-104W	CAPACITOR 0.1μF,10V
C4204		NCBA1AK-104W	CAPACITOR 0.1μF,10V	C4808		NCB30JK-105X	CAPACITOR 1μF,6.3V
C4205		NCBA1AK-104W	CAPACITOR 0.1μF,10V	C4809		NCFA1AZ-104W	CAPACITOR 0.1μF,10V
C4206		NCB21CK-105X	CAPACITOR 1μF,16V	C4810		NCBA1CK-103W	CAPACITOR 0.01μF,16V
C4207		NCBA1AK-104W	CAPACITOR 0.1μF,10V	C4811		NCBA1CK-103W	CAPACITOR 0.01μF,16V
C4208		NCBA1HK-392W	CAPACITOR 0.0039μF,50V	C4812		NCFA1AZ-104W	CAPACITOR 0.1μF,10V
C4209		NCB30JK-105X	CAPACITOR 1μF,6.3V	C4813		NCFA1AZ-104W	CAPACITOR 0.1μF,10V
C4210		NCBA1AK-104W	CAPACITOR 0.1μF,10V	C4814		NCFA1AZ-104W	CAPACITOR 0.1μF,10V
C4211		NCBA1AK-104W	CAPACITOR 0.1μF,10V	C4815		NCB31HK-152X	CAPACITOR 0.0015μF,50V
C4212		NCBA1AK-104W	CAPACITOR 0.1μF,10V	C4819		NCB31CK-104X	CAPACITOR 0.001μF,16V
C4213		NCBA1AK-104W	CAPACITOR 0.1μF,10V	C4851		NBE20JM-106X	T CAPACITOR 10μF,6.3V
C4214		NCBA1AK-104W	CAPACITOR 0.1μF,10V	C4852		NCFA1AZ-104W	CAPACITOR 0.1μF,10V
C4215		NCBA1AK-104W	CAPACITOR 0.1μF,10V	C4853		NBE21AM-335X	T CAPACITOR 3.3μF,10V
C4216		NCBA1AK-104W	CAPACITOR 0.1μF,10V	C4854		NBE21AM-106X	T CAPACITOR 10μF,10V
C4301		NCBA1AK-104W	CAPACITOR 0.1μF,10V	C4855		NCB31CK-104X	CAPACITOR 0.1μF,16V
C4303		NCBA1AK-104W	CAPACITOR 0.1μF,10V	C4858		NDCA1HJ-330W	CAPACITOR 33pF,50V
C4304		NCBA1AK-104W	CAPACITOR 0.1μF,10V	C4859		NCBA1HK-102W	CAPACITOR 0.001μF,50V
C4305		NBE20JM-106X	T CAPACITOR 10μF,6.3V	C4860		NCBA1HK-102W	CAPACITOR 0.001μF,50V
C4306		NCBA1AK-104W	CAPACITOR 0.1μF,10V	C4861		NCBA1HK-102W	CAPACITOR 0.001μF,50V
C4307		NBE20JM-106X	T CAPACITOR 10μF,6.3V	C4862		NCBA1HK-102W	CAPACITOR 0.001μF,50V
C4308		NCBA1AK-104W	CAPACITOR 0.1μF,10V	C4864		NBE20JM-106X	T CAPACITOR 10μF,6.3V
C4309		NCBA1AK-104W	CAPACITOR 0.1μF,10V	C4865		NCBA1AK-104W	CAPACITOR 0.1μF,10V
C4310		NBE20JM-106X	T CAPACITOR 10μF,6.3V	C5501		NCBA1AK-104W	CAPACITOR 0.1μF,10V
C4311		NCB30JK-105X	CAPACITOR 1μF,6.3V	C5503		NCBA1AK-104W	CAPACITOR 0.1μF,10V
C4312		NCBA1AK-104W	CAPACITOR 0.1μF,10V	C5504		NCBA1AK-104W	CAPACITOR 0.1μF,10V
C4313		NBE20JM-226X	T CAPACITOR 22μF,6.3V	C5505		NCBA1AK-104W	CAPACITOR 0.1μF,10V
C4314		NCBA1AK-104W	CAPACITOR 0.1μF,10V	C5506		NBE40JM-476X	T CAPACITOR 47μF,6.3V
C4315		NBE20JM-106X	T CAPACITOR 10μF,6.3V	C5507		NCBA1AK-104W	CAPACITOR 0.1μF,10V
C4317		NCBA1AK-104W	CAPACITOR 0.1μF,10V	C5508		NCBA1AK-104W	CAPACITOR 0.1μF,10V
C4318		NCBA1AK-104W	CAPACITOR 0.1μF,10V	C5509		NCBA1AK-104W	CAPACITOR 0.1μF,10V
C4319		NCBA1AK-104W	CAPACITOR 0.1μF,10V	C5510		NBP21VM-105X	T CAPACITOR 1μF,35V
C4320		NCBA1AK-104W	CAPACITOR 0.1μF,10V	C5511		NBP21DM-475X	T CAPACITOR 4.7μF,20V
C4321		NCBA1AK-104W	CAPACITOR 0.1μF,10V	C5512		NBE21AM-106X	T CAPACITOR 10μF,10V
C4322		NCBA1AK-104W	CAPACITOR 0.1μF,10V	C5513		NCB31CK-104X	CAPACITOR 0.1μF,16V
C4324		NBE20JM-106X	T CAPACITOR 10μF,6.3V	C5514		NCBA1AK-104W	CAPACITOR 0.1μF,10V
C4325		NCBA1AK-104W	CAPACITOR 0.1μF,10V	C5515		NCBA1AK-104W	CAPACITOR 0.1μF,10V
C4327		NCBA1AK-104W	CAPACITOR 0.1μF,10V	C5516		NCBA1AK-104W	CAPACITOR 0.1μF,10V
C4328		NCBA1AK-104W	CAPACITOR 0.1μF,10V	C5517		NCB31CK-104X	CAPACITOR 0.1μF,16V
C4329		NCBA1AK-104W	CAPACITOR 0.1μF,10V	C5518		NCBA1AK-104W	CAPACITOR 0.1μF,10V
C4330		NCBA1AK-104W	CAPACITOR 0.1μF,10V	C5519		NCBA1AK-104W	CAPACITOR 0.1μF,10V
C4331		NBE20JM-106X	T CAPACITOR 10μF,6.3V	C6001		NCBA1CK-103W	CAPACITOR 0.01μF,16V
C4332		NCBA1AK-104W	CAPACITOR 0.1μF,10V	C6004		NCB21CK-105X	CAPACITOR 1μF,16V
C4333		NCBA1AK-104W	CAPACITOR 0.1μF,10V	C6005		NDCA1HJ-101W	CAPACITOR 100pF,50V
C4334		NCBA1AK-104W	CAPACITOR 0.1μF,10V	C6101		NCB21CK-105X	CAPACITOR 1μF,16V
C4335		NCBA1AK-104W	CAPACITOR 0.1μF,10V	C6102		NEA71CM-106X	E CAPACITOR 10μF,16V
C4336		NCBA1AK-104W	CAPACITOR 0.1μF,10V	C6103		NCB21CK-105X	CAPACITOR 1μF,16V
C4337		NCBA1AK-104W	CAPACITOR 0.1μF,10V	C6105		NCB21CK-105X	CAPACITOR 1μF,16V
C4338		NCBA1AK-104W	CAPACITOR 0.1μF,10V	C6106		NCB21CK-105X	CAPACITOR 1μF,16V
C4339		NCBA1AK-104W	CAPACITOR 0.1μF,10V	C6107		NCB21CK-105X	CAPACITOR 1μF,16V
C4340		NCBA1AK-104W	CAPACITOR 0.1μF,10V	C6108		NCB21CK-105X	CAPACITOR 1μF,16V
C4341		NCBA1AK-104W	CAPACITOR 0.1μF,10V	C6109		NCB21CK-105X	CAPACITOR 1μF,16V
C4342		NCBA1AK-104W	CAPACITOR 0.1μF,10V	C6110		NCBA1AK-104W	CAPACITOR 0.1μF,10V
C4343		NCBA1AK-104W	CAPACITOR 0.1μF,10V	C6111		NCBA1AK-104W	CAPACITOR 0.1μF,10V
C4344		NCBA1AK-104W	CAPACITOR 0.1μF,10V	C6112		NCBA1AK-333W	CAPACITOR 0.033μF,10V
C4345		NCBA1AK-104W	CAPACITOR 0.1μF,10V	C6113		NCBA1HK-561W	CAPACITOR 560pF,50V
C4346		NCBA1AK-104W	CAPACITOR 0.1μF,10V	C6114		NCBA1HK-272W	CAPACITOR 0.0027μF,50V
C4347		NCBA1AK-104W	CAPACITOR 0.1μF,10V	C6115		NCBA1HK-561W	CAPACITOR 560pF,50V
C4348		NCBA1AK-104W	CAPACITOR 0.1μF,10V	C6116		NCBA1CK-103W	CAPACITOR 0.01μF,16V

#	△ REF No.	PART No.	PART NAME, DESCRIPTION	#	△ REF No.	PART No.	PART NAME, DESCRIPTION
C6117		NCBA1AK-104W	CAPACITOR 0.1μF,10V	L3010		NQR0384-003X	COIL
C6118		NCBA1AK-104W	CAPACITOR 0.1μF,10V	L3011		NQR0384-003X	COIL
C6119		NDCA1HJ-101W	CAPACITOR 100pF,50V	L3012		NQR0006-001X	FERRITE BEAD
C6120		NCB11CK-105X	CAPACITOR 1μF,16V	L3013		NQR0006-001X	FERRITE BEAD
C6121		NCB31CK-104X	CAPACITOR 0.1μF,16V	L3501		NQR0129-002X	FERRITE BEAD
C6122		NCBA1CK-223W	CAPACITOR 0.022μF,16V	L3502		NQL302N-100X	COIL 10μH
C6123		NCBA1CK-103W	CAPACITOR 0.01μF,16V	L3503		NQR0006-001X	FERRITE BEAD
C6124		NCBA1CK-103W	CAPACITOR 0.01μF,16V	L3504		NQR0006-001X	FERRITE BEAD
C6125		NCBA1CK-103W	CAPACITOR 0.01μF,16V	L3505		NQR0006-001X	FERRITE BEAD
C6126		NCBA1CK-103W	CAPACITOR 0.01μF,16V	L3701		NQL38DK-100X	COIL 10μH
C6127		NCBA1HK-102W	CAPACITOR 0.001μF,50V	L4201		NQR0129-002X	FERRITE BEAD
C6128		NCB21CK-105X	CAPACITOR 1μF,16V	L4301		NQR0129-002X	FERRITE BEAD
C6129		NCBA1HK-561W	CAPACITOR 560pF,50V	L4302		NQR0129-002X	FERRITE BEAD
C6130		NCBA1AK-104W	CAPACITOR 0.1μF,10V	L4303		NQL38DK-100X	COIL 10μH
C6131		NCBA1AK-104W	CAPACITOR 0.1μF,10V	L4304		NQL38DK-100X	COIL 10μH
C6132		NCBA1AK-104W	CAPACITOR 0.1μF,10V	L4305		NQR0129-002X	FERRITE BEAD
C6133		NCBA1AK-104W	CAPACITOR 0.1μF,10V	L4306		NQR0129-002X	FERRITE BEAD
C6134		NCBA1AK-104W	CAPACITOR 0.1μF,10V	L4307		NQL38DK-100X	COIL 10μH
C6201		NCB21CK-105X	CAPACITOR 1μF,16V	L4802		NQL302N-100X	COIL 10μH
C6202		NCB10JK-106X	CAPACITOR 10μF,6.3V	L4851		NQR0129-002X	FERRITE BEAD
C6203		NCBA1HK-102W	CAPACITOR 0.001μF,50V	L4852		NQL38DK-100X	COIL 10μH
C6204		NCBA1HK-561W	CAPACITOR 560pF,50V	L4853		NQL38DK-100X	COIL 10μH
C6205		NCB21CK-105X	CAPACITOR 1μF,16V	L5501		NQL38DK-100X	COIL 10μH
C6206		NCB21CK-105X	CAPACITOR 1μF,16V	L5502		NQR0129-002X	FERRITE BEAD
C6207		NCB10JK-106X	CAPACITOR 10μF,6.3V	L5503		NQR0129-002X	FERRITE BEAD
C6208		NCBA1EK-472W	CAPACITOR 0.0047μF,25V	L5504		NQR0129-002X	FERRITE BEAD
C6209		NCB21CK-105X	CAPACITOR 1μF,16V	L5505		NQL38DK-100X	COIL 10μH
C6210		NCB10JK-106X	CAPACITOR 10μF,6.3V	L5506		NQL38DK-100X	COIL 10μH
C6211		NCBA1HK-102W	CAPACITOR 0.001μF,50V	L6101		NQLZ011-4R7X	COIL 4.7μH
C6212		NCB21CK-105X	CAPACITOR 1μF,16V	L6102		NQLZ011-4R7X	COIL 4.7μH
C6213		NCB11EK-105X	CAPACITOR 1μF,25V	L6201		NQLZ011-390X	COIL 39μH
C6214		NCB21CK-105X	CAPACITOR 1μF,16V	L6202		NQLZ011-390X	COIL 39μH
C6215		NCB21CK-105X	CAPACITOR 1μF,16V	L6203		NQLZ011-390X	COIL 39μH
C6216		NCBA1AK-683W	CAPACITOR 0.068μF,10V	L6204		NQL144K-220X	COIL 22μH
C6217		NCB21CK-105X	CAPACITOR 1μF,16V	L6205		NQL35BK-100X	COIL 10μH
C6218		NCB21CK-105X	CAPACITOR 1μF,16V	L6206		NQLZ011-470X	COIL 47μH
C6219		NCB21CK-224X	CAPACITOR 0.22μF,16V	L6207		NQLZ011-470X	COIL 47μH
C6220		NCB21CK-105X	CAPACITOR 1μF,16V	L6208		NQLZ011-221X	COIL 220μH
C6221		NCB11EK-105X	CAPACITOR 1μF,25V	L6209		NQL144K-221X	COIL 220μH
C6222		NCB11EK-105X	CAPACITOR 1μF,25V	L6210		NQL144K-220X	COIL 22μH
C6224		NCBA1HK-102W	CAPACITOR 0.001μF,50V	L6701		NQLZ007-100X	COIL 10μH
C6225		NCBA1CK-103W	CAPACITOR 0.01μF,16V	X1001		NAX0424-001X	CRYSTAL RESONATOR,A
C6226		NCB21CK-105X	CAPACITOR 1μF,16V			NAX0474-001X	C OSCILLATOR,B,C
C6227		NCB11EK-105X	CAPACITOR 1μF,25V	X1002		NAX0325-001X	CRYSTAL RESONATOR
C6228		NCB11EK-105X	CAPACITOR 1μF,25V	X5501		NAX0356-001X	CXO
C6230		NCB21CK-105X	CAPACITOR 1μF,16V	WR1		WJT0045-001A	E-CARD WIRE,CN103-JACK CN502
C6231		NCBA1CK-103W	CAPACITOR 0.01μF,16V	WR2		WJJ0206-001A	E-SI C WIRE C-C,CN104-REAR UNIT
C6701		NCB21CK-105X	CAPACITOR 1μF,16V	J101		NNZ0041-001X	D CONNECTOR
C6703		NCB11CK-105X	CAPACITOR 1μF,16V	CN101		QGF0508F1-40X	FPC CONNECTOR
L1001		NQL315K-100X	COIL 10μH	CN102		QGA1002F1-09X	CONNECTOR
L1002		NQL315K-100X	COIL 10μH	CN103		QGF0505F2-14X	FPC CONNECTOR
L1401		NQR0006-001X	FERRITE BEAD	CN104		QGA1002C1-10X	CONNECTOR
L1402		NRSA02J-0R0X	MG RESISTOR 0Ω, 1/10W	CN105		QGB0801K2-20X	CONNECTOR
L2001		NQL315K-100X	COIL 10μH	CN106		QGA1201F2-03X	CONNECTOR
L2002		NQL38DK-220X	COIL 22μH	CN107		QGF0507F3-20X	FFC/FPC CONNECTOR
L3001		NQR0006-001X	FERRITE BEAD	CN108		QGF0507F3-24X	FFC/FPC CONNECTOR
L3002		NQR0129-002X	FERRITE BEAD	CN109		QGF0507F3-15X	FFC/FPC CONNECTOR
L3003		NQR0129-002X	FERRITE BEAD	CN110		QGF0505F1-08X	FPC CONNECTOR
L3004		NQR0006-001X	FERRITE BEAD	CN111		QGF0503C1-06V	FFC/FPC CONNECTOR
L3005		NQR0129-002X	FERRITE BEAD	CN112		QGF0505F2-18X	FPC CONNECTOR
L3006		NQR0006-001X	FERRITE BEAD	CN113		QGF0508F1-34X	FPC CONNECTOR
L3007		NQL085J-2R2X	COIL 2.2μH	△ F6101		NMFZ007-2R0X-K	FUSE T2.0A
L3008		NQL085J-120X	COIL 12μH	OT1		LY43017-001A	SHIELD SHEET
L3009		NQL085J-120X	COIL 12μH	OT2		LY30029-0F4A	SPACER(A)
				SD1		LY32080-001A	SHIELD CASE

#	△ REF No.	PART No.	PART NAME, DESCRIPTION

MONITOR BOARD ASSEMBLY <02>			
PW1		YB1032411-03	MONITOR BOARD ASSY,A,B
		YB10324M1-03	MONITOR BOARD ASSY,C
IC7101		MM1385EN	IC
IC7601		AN2540FHQ	IC
IC7602		BA15532F	IC
IC7603		X25057M8-2.7-X	IC
IC7604		SN74LV08APW	IC
Q7101		2SA1774/QR/-X	TRANSISTOR,A,B
Q7601		2SC4617/QR/-X	TRANSISTOR
Q7602		2SA1774/QR/-X	TRANSISTOR
Q7603		2SC4617/QR/-X	TRANSISTOR
Q7604		2SA1774/QR/-X	TRANSISTOR
Q7605		DTA144EE	TRANSISTOR,C
		or RN2104	TRANSISTOR,C
		or UN9113J	TRANSISTOR,C
Q7606		DTC144EE	TRANSISTOR,C
		or RN1104	TRANSISTOR,C
		or UN9213J	TRANSISTOR,C
Q7607		UMZ1N	PAIR TRANSISTOR,C
Q7608		DTC144EE	TRANSISTOR
		or RN1104	TRANSISTOR
		or UN9213J	TRANSISTOR
Q7609		DTC144EE	TRANSISTOR
		or RN1104	TRANSISTOR
		or UN9213J	TRANSISTOR
Q7610		DTA144EE	TRANSISTOR
		or RN2104	TRANSISTOR
		or UN9113J	TRANSISTOR
D1		SML-110LT-X	LE DIODE
D7601		RB471E	SB DIODE
R1		NRSA63J-103X	MG RESISTOR 10kΩ,1/16W
R2		NRSA63J-103X	MG RESISTOR 10kΩ,1/16W
R3		NRSA63J-103X	MG RESISTOR 10kΩ,1/16W
R4		NRSA63J-152X	MG RESISTOR 1.5kΩ,1/16W
R5		NRSA63J-182X	MG RESISTOR 1.8kΩ,1/16W
R6		NRSA63J-272X	MG RESISTOR 2.7kΩ,1/16W
R7101		NRSA63J-562X	MG RESISTOR,A,B 5.6kΩ,1/16W
R7102		NRSA63J-562X	MG RESISTOR,A,B 5.6kΩ,1/16W
R7103		NRSA63J-103X	MG RESISTOR,A,B 10kΩ,1/16W
R7104		NRSA63J-0R0X	MG RESISTOR 0Ω,1/16W
R7110		NRSA63J-0R0X	MG RESISTOR,A,B 0Ω,1/16W
R7111		NRSA63J-0R0X	MG RESISTOR,A,B 0Ω,1/16W
R7112		NRSA63J-0R0X	MG RESISTOR,A,B 0Ω,1/16W
R7113		NRSA63J-0R0X	MG RESISTOR,A,B 0Ω,1/16W
R7114		NRSA63J-0R0X	MG RESISTOR,A,B 0Ω,1/16W
R7115		NRSA63J-0R0X	MG RESISTOR,A,B 0Ω,1/16W
R7601		NRVA63D-622X	CMF RESISTOR 6.2kΩ,1/16W
R7602		NRSA63J-153X	MG RESISTOR 15kΩ,1/16W
R7603		NRSA63J-683X	MG RESISTOR 68kΩ,1/16W
R7608		NRSA63J-153X	MG RESISTOR 15kΩ,1/16W
R7609		NRVA63D-223X	CMF RESISTOR 22kΩ,1/16W
R7610		NRVA63D-433X	CMF RESISTOR 43kΩ,1/16W
R7611		NRVA63D-821X	CMF RESISTOR 820Ω,1/16W
R7612		NRVA63D-223X	CMF RESISTOR,A,B 22kΩ,1/16W
		NRVA63D-682X	CMF RESISTOR,C 6.8kΩ,1/16W
R7613		NRVA63D-223X	CMF RESISTOR 22kΩ,1/16W
R7614		NRVA63D-223X	CMF RESISTOR 22kΩ,1/16W
R7615		NRSA63J-223X	MG RESISTOR 22kΩ,1/16W
R7616		NRSA63J-223X	MG RESISTOR 22kΩ,1/16W
R7617		NRSA02J-561X	MG RESISTOR 560Ω,1/10W

#	△ REF No.	PART No.	PART NAME, DESCRIPTION
R7618		NRSA02J-561X	MG RESISTOR 560Ω,1/10W
R7621		NRSA63J-0R0X	MG RESISTOR,A,B 0Ω,1/16W
R7622		NRSA63J-223X	MG RESISTOR,C 22kΩ,1/16W
R7623		NRSA63J-223X	MG RESISTOR,C 22kΩ,1/16W
R7624		NRVA63D-223X	CMF RESISTOR,C 22kΩ,1/16W
R7625		NRVA63D-223X	CMF RESISTOR,C 22kΩ,1/16W
R7626		NRVA63D-183X	CMF RESISTOR,C 18kΩ,1/16W
R7627		NRVA63D-334X	CMF RESISTOR,C 330kΩ,1/16W
R7628		NRSA63J-224X	MG RESISTOR,C 220kΩ,1/16W
R7629		NRSA63J-393X	MG RESISTOR,C 39kΩ,1/16W
R7630		NRSA63J-223X	MG RESISTOR 22kΩ,1/16W
R7631		NRSA63J-335X	MG RESISTOR 3.3MΩ,1/16W
R7633		NRSA63J-103X	MG RESISTOR 10kΩ,1/16W
R7634		NRSA63J-0R0X	MG RESISTOR 0Ω,1/16W
R7640		NRSA63J-0R0X	MG RESISTOR,C 0Ω,1/16W
R7641		NRSA63J-0R0X	MG RESISTOR,C 0Ω,1/16W
R7642		NRSA63J-0R0X	MG RESISTOR,C 0Ω,1/16W
R7643		NRSA63J-0R0X	MG RESISTOR,C 0Ω,1/16W
R7644		NRSA63J-0R0X	MG RESISTOR,C 0Ω,1/16W
R7645		NRSA63J-0R0X	MG RESISTOR,C 0Ω,1/16W
R7646		NRSA63J-0R0X	MG RESISTOR,C 0Ω,1/16W
C1		NCB31EK-103X	CAPACITOR 0.01μF,25V
C7101		NCF31CZ-104X	CAPACITOR 0.1μF,16V
C7102		NCB31HK-103X	CAPACITOR 0.01μF,50V
C7103		NBE20JM-475X	T CAPACITOR,A,B 4.7μF,6.3V
C7601		NCB21CK-105X	CAPACITOR 1μF,16V
C7602		NCB31EK-103X	CAPACITOR 0.01μF,25V
C7603		NCB11CK-225X	CAPACITOR 2.2μF,16V
C7604		NCB11CK-225X	CAPACITOR 2.2μF,16V
C7605		NCB11CK-225X	CAPACITOR 2.2μF,16V
C7606		NCB31CK-104X	CAPACITOR 0.1μF,16V
C7607		NBP41CM-106X	T CAPACITOR 10μF,16V
C7608		NCB31EK-103X	CAPACITOR 0.01μF,25V
C7609		NCB31CK-104X	CAPACITOR 0.1μF,16V
C7610		NCB11CK-225X	CAPACITOR 2.2μF,16V
C7611		NCB11CK-225X	CAPACITOR 2.2μF,16V
C7612		NCB11CK-225X	CAPACITOR 2.2μF,16V
C7613		NCB11CK-225X	CAPACITOR 2.2μF,16V
C7614		NCB31HK-152X	CAPACITOR 0.0015μF,50V
C7615		NCB31EK-103X	CAPACITOR 0.01μF,25V
C7616		NCB31EK-103X	CAPACITOR 0.01μF,25V
C7617		NCB31EK-103X	CAPACITOR 0.01μF,25V
C7618		NCB10JK-106X	CAPACITOR 10μF,6.3V
C7619		NCB10JK-106X	CAPACITOR 10μF,6.3V
C7620		NCB31EK-103X	CAPACITOR 0.01μF,25V
C7621		NCB21CK-105X	CAPACITOR 1μF,16V
C7622		NCB21CK-105X	CAPACITOR 1μF,16V
C7623		NBE21AM-106X	T CAPACITOR 10μF,10V
C7624		NCB31EK-103X	CAPACITOR 0.01μF,25V
C7626		NCB31CK-104X	CAPACITOR 0.1μF,16V
C7627		NCF31CZ-104X	CAPACITOR 0.1μF,16V
C7628		NBP41EM-475X	T CAPACITOR 4.7μF,25V
C7629		NBP21CM-335X	T CAPACITOR 3.3μF,16V
C7630		NBP41EM-475X	T CAPACITOR 4.7μF,25V
C7631		NCB31EK-103X	CAPACITOR 0.01μF,25V
C7632		NBP41EM-475X	T CAPACITOR 4.7μF,25V
C7633		NCB31EK-103X	CAPACITOR 0.01μF,25V
C7634		NCB10JK-106X	CAPACITOR 10μF,6.3V
C7635		NCB31EK-103X	CAPACITOR 0.01μF,25V
C7636		NCF31CZ-104X	CAPACITOR,C 0.1μF,16V
C7637		NCB31EK-103X	CAPACITOR 0.01μF,25V
C7638		NCB21AK-225X	CAPACITOR,C 2.2μF,10V
C7639		NBE21AM-106X	T CAPACITOR,C 10μF,10V
C7640		NCB31EK-103X	CAPACITOR 0.01μF,25V

#	△ REF No.	PART No.	PART NAME, DESCRIPTION		
		C7642	NCF31CZ-104X	CAPACITOR	0.1μF,16V
		L7601	NQL315K-100X	COIL	10μH
		L7602	NQL315K-100X	COIL	10μH
		L7604	NQL315K-100X	COIL	10μH
		L7605	NQL315K-100X	COIL,A,B	10μH
		L7606	NQL315K-100X	COIL,C	10μH
		L7607	NQL315K-100X	COIL	10μH
		SW1	NSW0092-001X	SLIDE SWITCH,LIGHT	
		SW2	NSW0008-001X	TACT SWITCH,STOP	
		SW3	NSW0008-001X	TACT SWITCH,REW	
		SW4	NSW0008-001X	TACT SWITCH,FF	
		SW5	NSW0008-001X	TACT SWITCH,PLAY/PAUSE	
		SW7601	NSW0105-001X	DETECT SWITCH,OPEN	
△		BT1	QAB0025-001	LI BATTERY	
		CN761	QGF0508F1-40X	FPC CONNECTOR	
		CN763	QGF0507F3-20X	FFC/FPC CONNECTOR	
		CN764	QGF0305F1-33X	FPC CONNECTOR	
		CN765	QGA1201F2-02X	CONNECTOR	
		OT1	LY43043-001B	SHIELD SHEET	
		OT2	LY43119-001A	SHIELD SHEET,A,B	

LCD BL BOARD ASSEMBLY <03>

		PW2	YB10324A2-02	LCD BL BOARD ASSY,C	
			YB10324B2-02	LCD BL BOARD ASSY,A,B	
		IC751	MIP805	IC,C	
		Q7501	2SC3647/ST/-X	POW TRANSISTOR	
		Q7502	2SC3647/ST/-X	POW TRANSISTOR	
		Q7503	DTA144EE	TRANSISTOR	
			or RN2104	TRANSISTOR	
			or UN9113J	TRANSISTOR	
		Q7504	2SC4617/QR/-X	TRANSISTOR	
		D751	1SS376	DIODE,C	
		R751	NRSA63J-104X	MG RESISTOR,C	100kΩ,1/16W
		R7501	NRSA63J-102X	MG RESISTOR	1kΩ,1/16W
		R7502	NRSA63J-102X	MG RESISTOR	1kΩ,1/16W
		R7503	NRSA63J-102X	MG RESISTOR	1kΩ,1/16W
		R7506	NRSA63J-473X	MG RESISTOR	47kΩ,1/16W
		R7507	NRSA63J-473X	MG RESISTOR	47kΩ,1/16W
		C751	NBE20JM-106X	T CAPACITOR,C	10μF,6.3V
		C752	NBE20JM-106X	T CAPACITOR,C	10μF,6.3V
		C753	NCB31HK-222X	CAPACITOR,C	0.0022μF,50V
		C754	NCB31HK-222X	CAPACITOR,C	0.0022μF,50V
		C7501	NCZ1016-120X	CAPACITOR	12pF,2kV
		C7503	NFV41HJ-223X	MPPS CAPACITOR	0.022μF,50V
		C7504	NCB31EK-103X	CAPACITOR	0.01μF,25V
		C7505	NBE20JM-226X	T CAPACITOR	22μF,6.3V
		L751	NQLZ011-681X	COIL,C	680μH
		L752	NQL315K-100X	COIL,C	10μH
		L7501	NQLZ010-680X	COIL	68μH
		L7502	NQLZ010-220X	COIL	22μH
		T7501	NQS0048-001X	SW TRANSF	
		CN751	QGF0506F2-32X	FPC CONNECTOR	
		CN752	QGF0505F1-24X	FPC CONNECTOR	
		CN753	QGA5002F1-02X	CONNECTOR	
		CN754	QGF0505F2-06X	FPC CONNECTOR,C	
△		F751	NMFZ007-R20X-K	FUSE,C	T0.2A
△		F7501	NMFZ009-R375XJ1	FUSE	T0.37A
		OT1	LY41726-001A	PLATE(EARTH)	

#	△ REF No.	PART No.	PART NAME, DESCRIPTION		

CCD BOARD ASSEMBLY <04>					
		PW	YB10316A-01	CCD BOARD ASSY	
		Q5001	2SC3931/CD/-X	TRANSISTOR	
		R5001	NRSA02J-472X	MG RESISTOR	4.7kΩ,1/10W
		R5002	NRSA02J-0R0X	MG RESISTOR	0Ω,1/10W
		R5003	NRSA02J-104X	MG RESISTOR	100kΩ,1/10W
		R5004	NRS181J-0R0X	MG RESISTOR	0Ω,1/8W
		R5006	NRSA02J-0R0X	MG RESISTOR	0Ω,1/10W
		R5007	NRS181J-0R0X	MG RESISTOR	0Ω,1/8W
		C5001	NCB21CK-104X	CAPACITOR	0.1μF,16V
		C5002	NBP41DM-106X	T CAPACITOR	10μF,20V
		C5003	NCB21CK-104X	CAPACITOR	0.1μF,16V
		C5004	NBE21AM-106X	T CAPACITOR	10μF,10V
		C5005	NCB11EK-104X	CAPACITOR	0.1μF,25V
		C5006	NCB21CK-104X	CAPACITOR	0.1μF,16V
		C5007	NCB21HK-222X	CAPACITOR	0.0022μF,50V
		C5011	NCB21CK-105X	CAPACITOR	1μF,16V
		L5001	NQL315K-100X	COIL	10μH

JUNCTION BOARD ASSEMBLY <05>

		PW2	YB10314A2-01	JUNCTION BOARD ASSY	
		D571	SML-010MT-X	LE DIODE	
		SW571	NSW0120-002X	PUSH SWITCH	
		CN571	QGF0508F1-34X	FPC CONNECTOR	
		CN572	QGF0507F3-15X	FFC/FPC CONNECTOR	
		CN573	QGF0505F2-11X	FPC CONNECTOR	
		CN574	QGF0505F2-06X	FPC CONNECTOR	

JACK BOARD ASSEMBLY <06>

		PW1	YB10314A1-01	JACK BOARD ASSY,A	
			YB10314A1-02	JACK BOARD ASSY,B,C	
		IC501	BA10358F-XE	IC	
		IC502	RS-171-X	IC(PHOTO SENSOR)	
		Q501	RPM-22PB	PHOTO TRANSISTOR	
		D501	MA8068	ZENER DIODE	
		D502	MA8068	ZENER DIODE	
		D504	MA8068	ZENER DIODE	
		D505	MA8068	ZENER DIODE	
		D506	EMZ6.8N	ZENER DIODE	
		D507	EMZ6.8N	ZENER DIODE	
		D508	EMZ6.8N	ZENER DIODE	
		R501	NRSA63J-103X	MG RESISTOR	10kΩ,1/16W
		R502	NRSA63J-684X	MG RESISTOR	680kΩ,1/16W
		R503	NRSA63J-182X	MG RESISTOR	1.8kΩ,1/16W
		R504	NRSA63J-222X	MG RESISTOR	2.2kΩ,1/16W
		R505	NRSA63J-103X	MG RESISTOR	10kΩ,1/16W

#	△ REF No.	PART No.	PART NAME, DESCRIPTION	#	△ REF No.	PART No.	PART NAME, DESCRIPTION
R506		NRSA63J-824X	MG RESISTOR	820kΩ,1/16W			
R507		NRSA63J-104X	MG RESISTOR	100kΩ,1/16W			
R508		NRSA63J-683X	MG RESISTOR	68kΩ,1/16W			
R509		NRSA63J-822X	MG RESISTOR	8.2kΩ,1/16W			
R510		NRSA63J-0R0X	MG RESISTOR	0Ω,1/16W			
R511		NRSA63J-302X	MG RESISTOR	3kΩ,1/16W			
R512		NRSA63J-470X	MG RESISTOR	47Ω,1/16W			
R513		NRSA63J-101X	MG RESISTOR	100Ω,1/16W			
R514		NRSA63J-101X	MG RESISTOR	100Ω,1/16W			
R515		NRSA63J-0R0X	MG RESISTOR	0Ω,1/16W			
R516		NRSA63J-221X	MG RESISTOR	220Ω,1/16W			
R517		NRSA63J-331X	MG RESISTOR	330Ω,1/16W			
R518		NRSA63J-0R0X	MG RESISTOR	0Ω,1/16W			
R519		NRSA63J-331X	MG RESISTOR	330Ω,1/16W			
R520		NRSA63J-331X	MG RESISTOR	330Ω,1/16W			
R524		NRSA63J-0R0X	MG RESISTOR	0Ω,1/16W			
R525		NRSA63J-0R0X	MG RESISTOR	0Ω,1/16W			
R526		NRSA63J-0R0X	MG RESISTOR	0Ω,1/16W			
R527		NRSA63J-0R0X	MG RESISTOR	0Ω,1/16W			
C501		NBE21AM-335X	T CAPACITOR	3.3μF,10V			
C502		NCF31CZ-104X	CAPACITOR	0.1μF,16V			
C503		NCB31EK-153X	CAPACITOR	0.015μF,25V			
C504		NCB31EK-153X	CAPACITOR	0.015μF,25V			
C506		NBE21AM-106X	T CAPACITOR	10μF,10V			
C509		NBE20JM-226X	T CAPACITOR	22μF,6.3V			
C514		NCB31HK-103X	CAPACITOR	0.01μF,50V			
C515		NCB31HK-103X	CAPACITOR	0.01μF,50V			
L501		NQR0251-004X	FERRITE BEAD				
L502		NQR0251-004X	FERRITE BEAD				
L503		NQR0251-004X	FERRITE BEAD				
HD1		LY32086-001B	HOLDER(J.PWB)				
WR1		WJJ0207-002A	E-SI C WIRE C-C,CN501-MAIN CN102				
J501		QNS0078-001	3.5 JACK				
J502		PEMC1203	MINI JACK				
J503		QND0004-001	S JACK				
J504		QNS0152-001	2.5 JACK				
TL501		YQ43810-1-1	CONTACT(LIGHT)				
TL502		YQ43810-1-1	CONTACT(LIGHT)				
CN501		QGA1002F1-09X	CONNECTOR				
CN502		QGF0507F3-14X	FFC/FPC CONNECTOR				
OT1		LY30018-023A	SPECIAL SCREW,X4				
OT2		LY30017-023A	SPACER-B,X2,B,C				